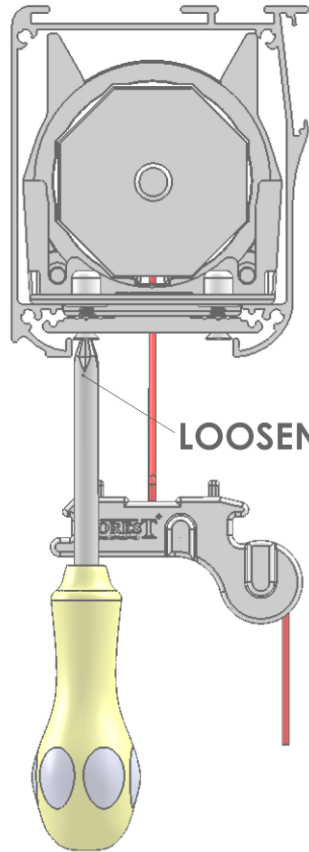


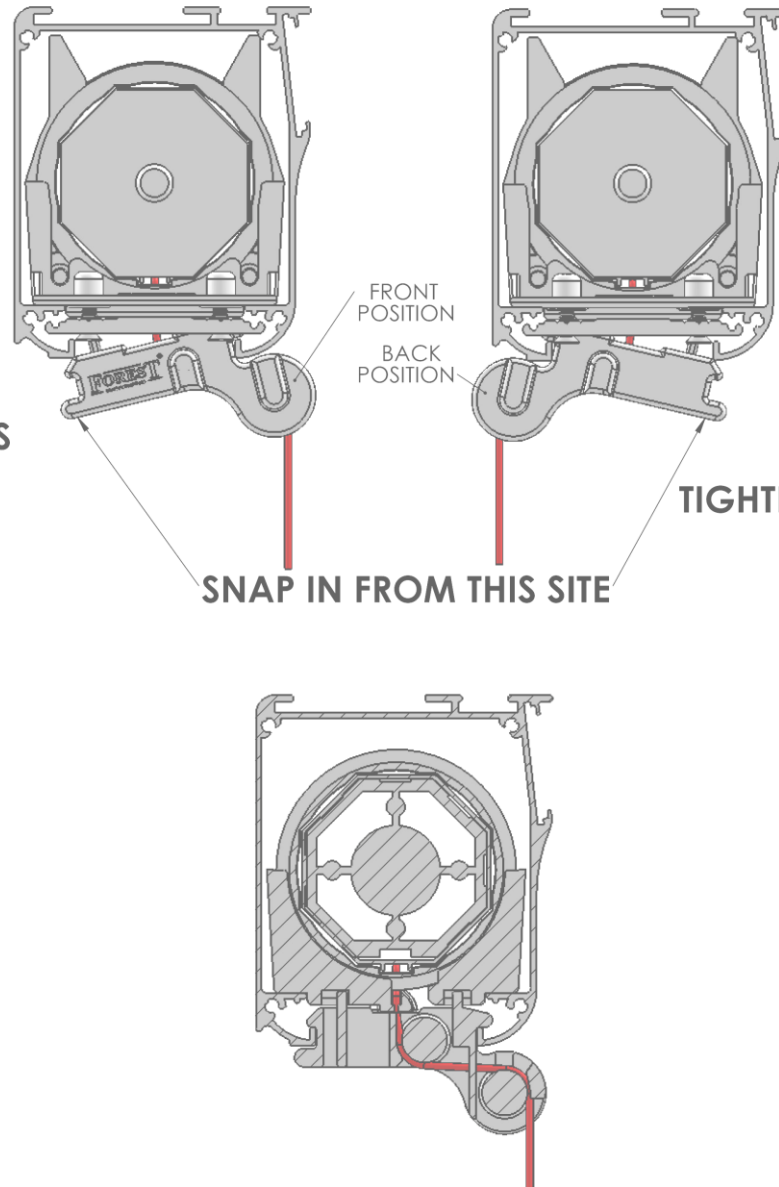
HOW TO MOUNT THE CORD EXTENDER

STAP 1



LOOSEN SCREWS

STAP 2 FRONT OR BACK POSITION



FRONT POSITION
BACK POSITION

SNAP IN FROM THIS SITE

TIGHTEN SCREWS

STAP 3

