

*Installing the*

**FOREST SHUTTLE® AC CONTROL SET**

**5201002202**

**SECONDARY UNIT - POTENTIAL FREE RELAY**

**5201002200**

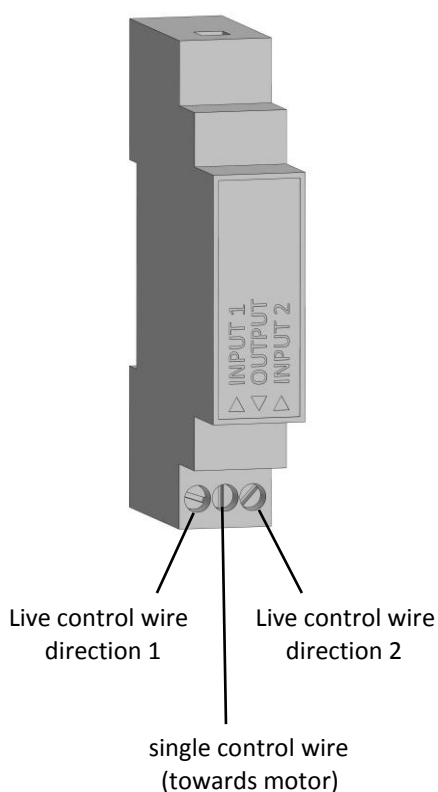
Home / Building Automation Systems and other devices often control curtain motors by Live 110 – 230Vac, to open or to close. This is suitable for synchronous AC motors, like tubular motors. Switching Live AC to the first winding of the motor will turn the motor one way. Switching Live AC to the second winding will turn the motor the other way. The motor is also powered by this Live AC voltage. This configuration needs 3 wires.

The Forest Shuttle® motor is not suited to be controlled directly through Live AC. For this reason, Forest has developed an “AC control set”. This is used when your control device can only operate on 110Vac or 230Vac to operate a curtain motor. The AC control set consist of two units:

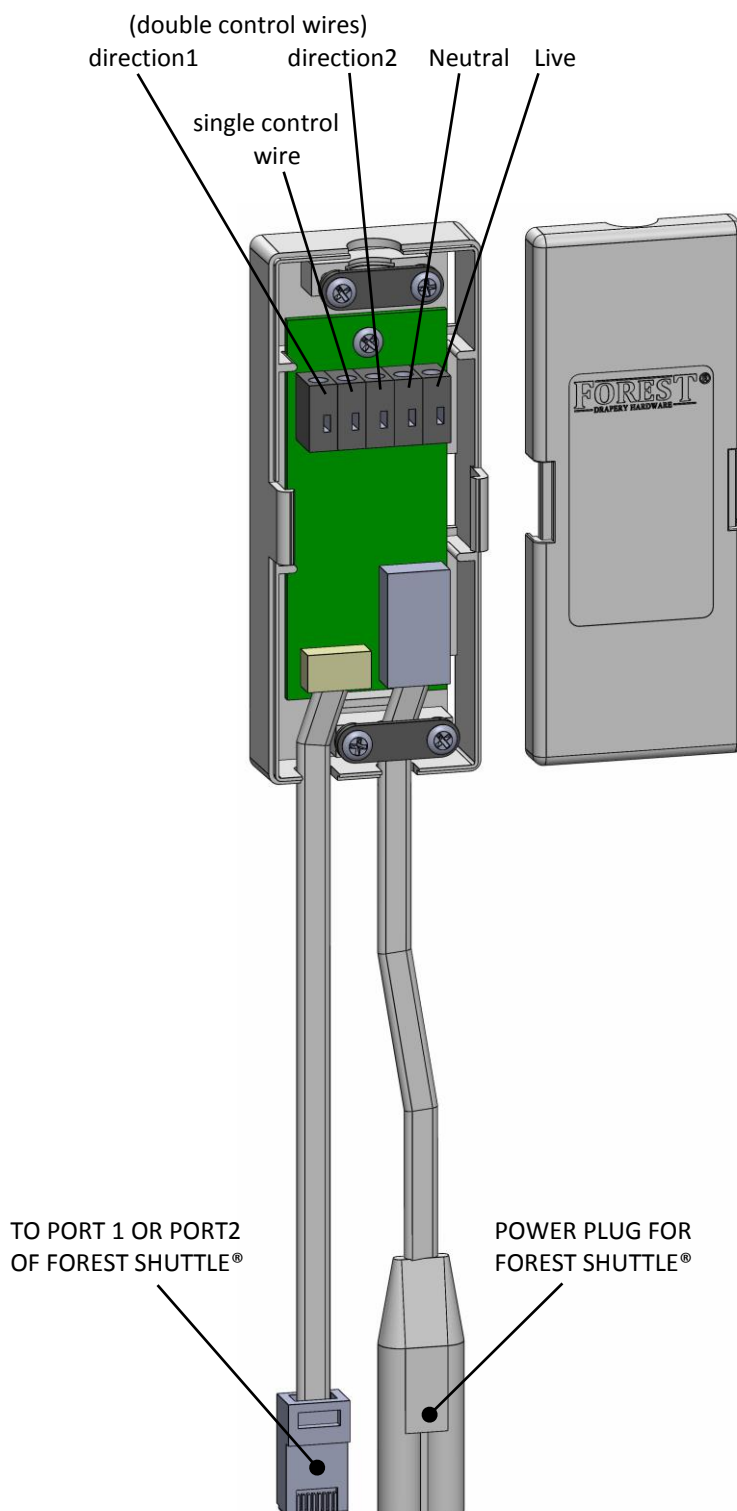
**Primary unit:** is only used when 3 wires/conductors are installed instead of 4, between the control device and the Shuttle® motor. This unit converts the two Live control wires to one single control wire.

**Secondary unit:** this unit will convert the Live control (single or double) wire(s) into potential free contact for the Shuttle® motor.

## PRIMARY UNIT (DIN rail mounting)

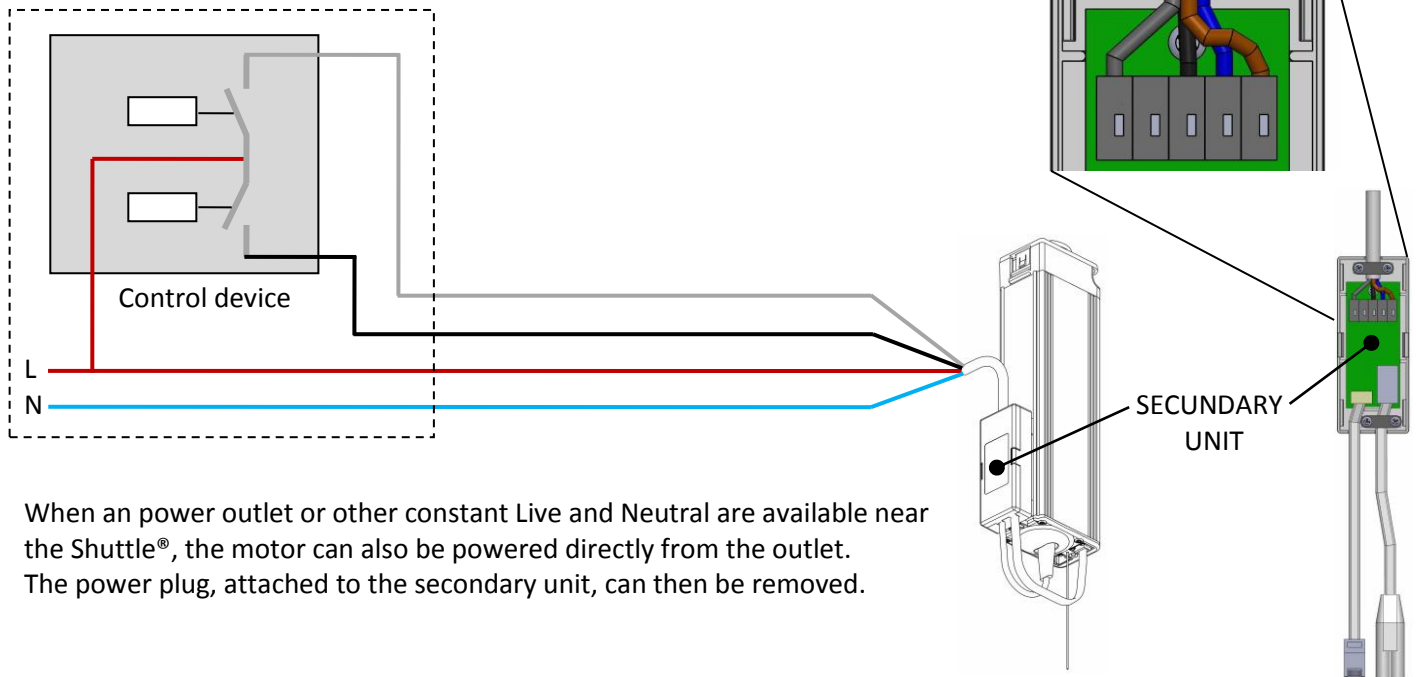


## SECONDARY UNIT



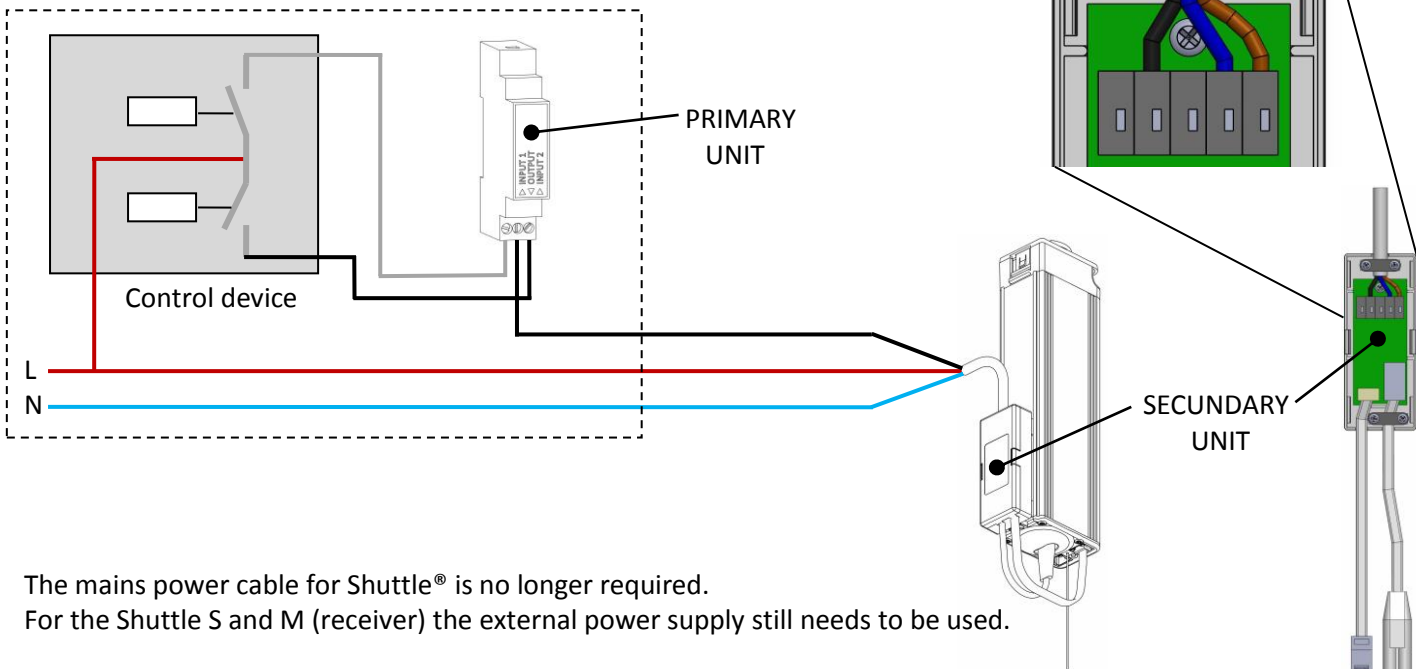
## 4 (+1 earth PE) wires/conductors\*:

Only secondary unit is used (as potential free relay)



When an power outlet or other constant Live and Neutral are available near the Shuttle®, the motor can also be powered directly from the outlet. The power plug, attached to the secondary unit, can then be removed.

## 3 (+1 earth PE) wires/conductors\*:



The mains power cable for Shuttle® is no longer required. For the Shuttle S and M (receiver) the external power supply still needs to be used.

\* The motor must be installed by an installer who is qualified in motorized systems. Installation must be done according to local regulations. Make sure to turn off mains power when installing the units. Earth wire (yellow/green) can never be used as replacement for Live, Neutral or control wire. To ensure safety, the primary unit needs to be mounted in a distribution box, like this:

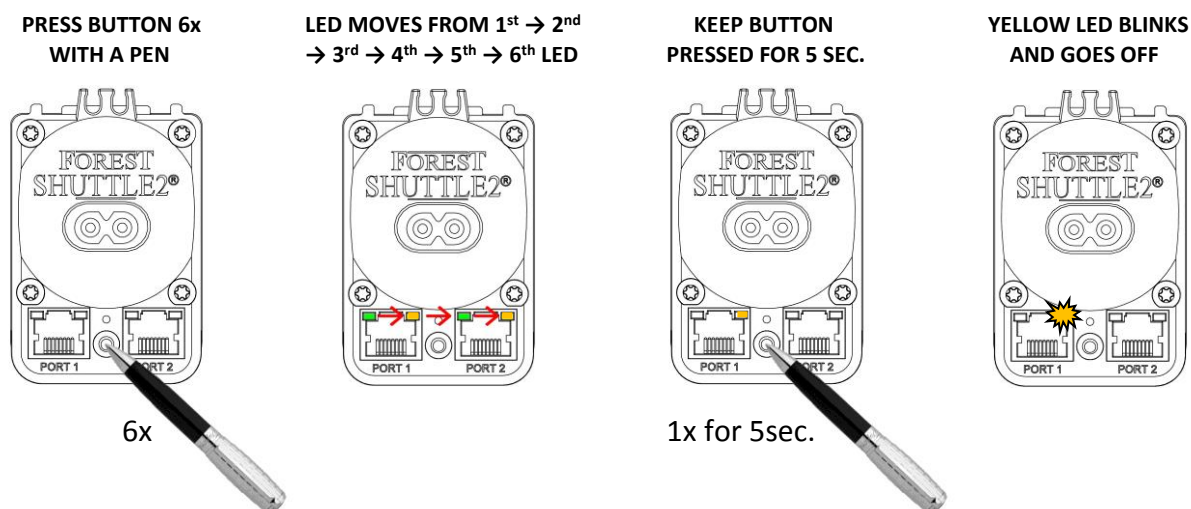


## Dry contact inputs of the FOREST SHUTTLE®

Standard input for the Shuttle® motor is pulse contact. When a short contact is made the curtain will open or close fully (default setting). The motor does not stop on release of the contact.

**Set the Shuttle® to continuous mode.** The motor will run as long as the contact is made.

➡ For Shuttle® S, L and M receiver: press button 6 times shortly. Light will jump to next LED with every press. To confirm, press and hold once more for 4 seconds until the led blinks 3 times and goes OFF:



## Technical specification of the FOREST SHUTTLE® AC CONTROL SET

Part # 5201002202:	complete set, primary and secondary unit
Part # 5201002200:	secondary unit i.e. potential free relay
Voltage:	100 - 240V~ 50 - 60Hz
Max. power:	120mW
Protection degree:	IP20
Ambient temperature:	0 - 40°C (32 - 104°F)
Relative humidity:	10 – 80%
Maximum useable altitude above sea level:	2000m (6561ft.)
Certification & Marking:	CE



Forest Shuttle® AC CONTROL SET is not suitable for humid spaces, like bathrooms or outdoors.

It is important for the safety of persons to follow these instructions. Keep these instructions for future reference.

Do not use the product for any other purpose than intended. In order for the Forest Shuttle® AC CONTROL SET to function correct and safe, the complete curtain system must be assembled with original parts and devices of

Forest Group Nederland B.V. This includes all components of the curtain track and power supply adaptor.

Forest Group does not assume liability for resulting damages to property or personal injury, defects, labour on location, service calls, reinstallation or expenses involved in shipping, packing or returning goods, if the product has been abused/modified in any way or damaged by improper use or failure to observe these operating instructions. The warranty/guarantee will then expire!

Do not allow children to play with the system or controls. Keep remote controls away from children.

Frequently examine the installation for imbalance and signs of wear or damage. Do not use if repair or adjustment is necessary.