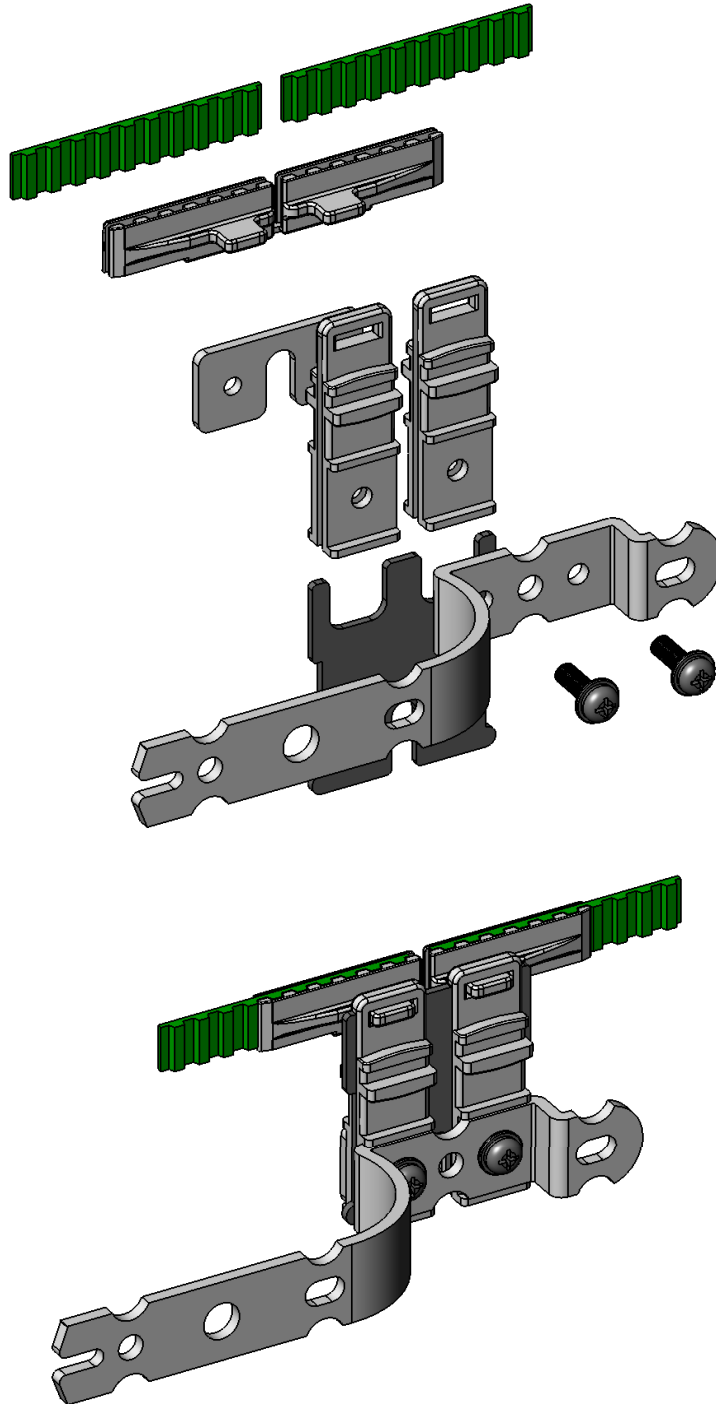


FMS PLUS OVERLAP MASTER 53908-25 ASSEMBLY INSTRUCTIONS

BY SIMPLY FOLLOWING THESE INSTRUCTIONS, YOU WILL SOON BE ENJOYING YOUR NEW DRAPERY HARDWARE.

Tools You Will Need:

- Phillips screwdriver



For additional assistance contact Forest Drapery Hardware at 866-823-3894