

# 1 3/16" DECORATIVE ROD COLLECTION INSTALL INSTRUCTIONS

BY SIMPLY FOLLOWING THESE STEP-BY-STEP INSTRUCTIONS, YOU WILL SOON BE ENJOYING YOUR NEW DRAPERY HARDWARE.

## Getting Started:

Please read through all instructions carefully before you begin installation.

Unpack all materials making sure all components are included:

- Pole
- Drapery rings
- Mounting brackets with Allen key
- Finials

Please note that your brackets must be securely attached to the mounting surface. If your screws do not hit wood studs you'll have to use a different fastener, which can be found at any local hardware store.

## Tools You Will Need:

- Drill with a 1/8" bit and a Phillips bit
- Phillips screwdriver
- Metal tape measure
- Hacksaw (optional)

## Installing Your Drapery Hardware:

You are now ready to install your hardware.

### 1. Measure

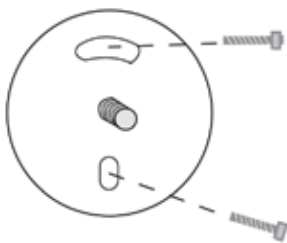
Measure the area you are covering and cut down pole if needed with hacksaw. Poles are pre-cut to your specified size.

### 2. Mark

Mark the height you would like the top of drapery pole to be installed. Note: The top of the drapery will hang down approx. 2" from the top of the pole.

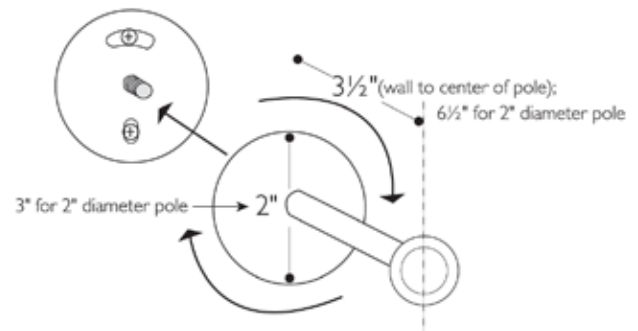
### 3. Mount

Take the back plate off the bracket and place top of plate at marked height. Drill in screws through the top and bottom holes for a secure mount. Repeat this process for all other brackets.



### 4. Attach Bracket

Take the bracket and screw it onto the installed back plate, turning by hand in a clockwise direction. Turn until tight. Repeat this process with other brackets.



### 5. Attach Rings and Poles

Slide rings onto pole. You may want to leave one ring on the outside of each of the end brackets. Set the pole on the brackets.



### 6. Attach Finials

Attach finials to both ends of the pole.