

MOTORIZED DECORATIVE METAL POLE SET INSTALL INSTRUCTIONS

BY SIMPLY FOLLOWING THESE STEP-BY-STEP INSTRUCTIONS, YOU WILL SOON BE ENJOYING YOUR NEW DRAPERY HARDWARE.

Getting Started:

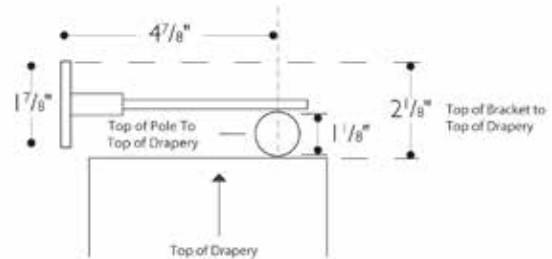
Please read through all instructions carefully before you begin installation.

Unpack all materials making sure all components are included:

- Back plate
- Decorative faceplate
- Bracket attachment shaft
- Bracket set screw and hex key
- Bracket unit
- Rail holding set screw

Tools You Will Need:

- Drill with a 1/8" bit and Phillips bit
- Phillips screwdriver
- Metal tape measure



Installing Your Motorized Decroative Metal Pole Set:

You are now ready to install your hardware.

1. Mark

Mark the height you would like the drapery pole to be installed.
Note: The top of the drapery will hang down approx. 1 1/8" from bottom of pole to top of drapery.

2. Mount

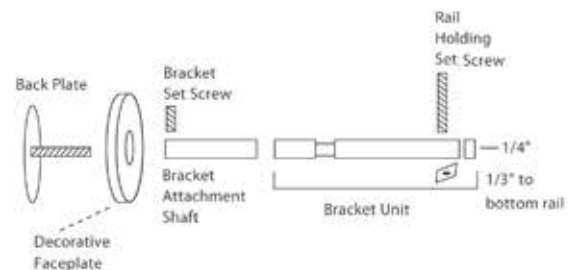
Attach your back plates to your desired area. Drill screws through holes for a secure mount. Repeat this process for all other brackets.

3. Attach Bracket

- Place decorative faceplate over the back plate.
- Screw the bracket attachment shaft onto the threaded part of the back plate.
- Place your bracket unit onto the bracket attachment shaft.
- Screw bracket set screw (with included hex key) into the hole on the top of the bracket unit closest to the wall until it is tight.

4. Attach Pole

- Make sure the rail holding set screw is attached to the bracket unit loosely (you should receive it this way).
- Push your H-Rail up into the bracket unit and tighten the rail holding set screw (with included hex key) on the top of the bracket unit.

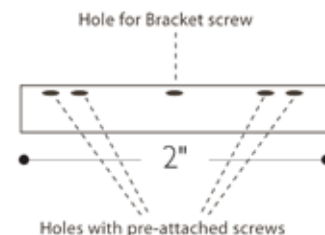


Installing H-Rail Over 8 feet Wide - with 2 Poles:

All pole sets over 8 feet will come as 2 poles. A center bracket must be used on the splice (shown below) where the poles meet.

1. The splice will have 5 screw holes, 4 of which should have tightening screws already attached. The 5th threaded hole (center) is where the bracket connects.

2. Detach the "parallelogram" piece from the bracket screw and attach the screw directly into the top of the connector.



MOTORIZED DECORATIVE METAL POLE SET INSTALL INSTRUCTIONS

BY SIMPLY FOLLOWING THESE STEP-BY-STEP INSTRUCTIONS, YOU WILL SOON BE ENJOYING YOUR NEW DRAPERY HARDWARE.

1

Assemble the track.

2

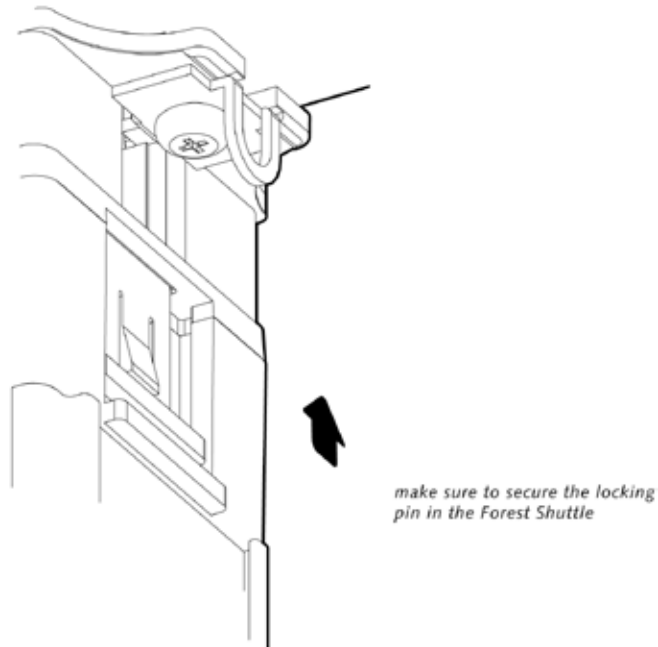
Install the brackets and insert the track to the brackets.

3

Do not attach the drapery yet. Attach the drapery after the end positions have been set. Slide the master carrier(s) into a half open position.

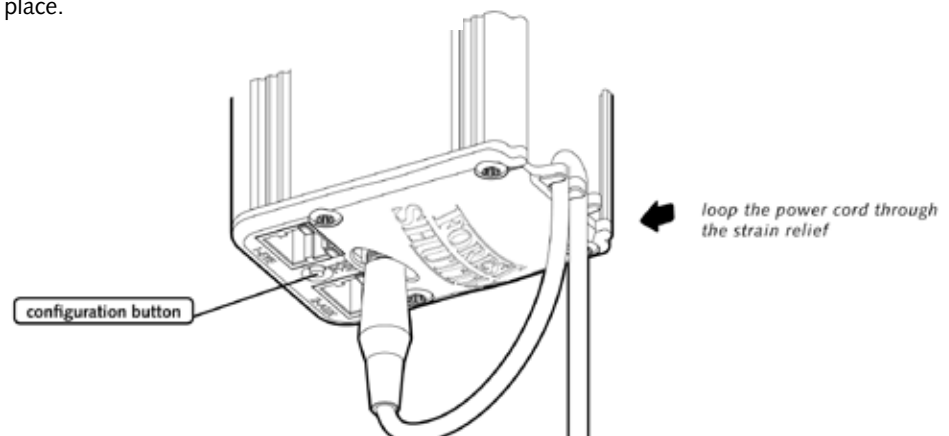
4

Attach the motor to the track.



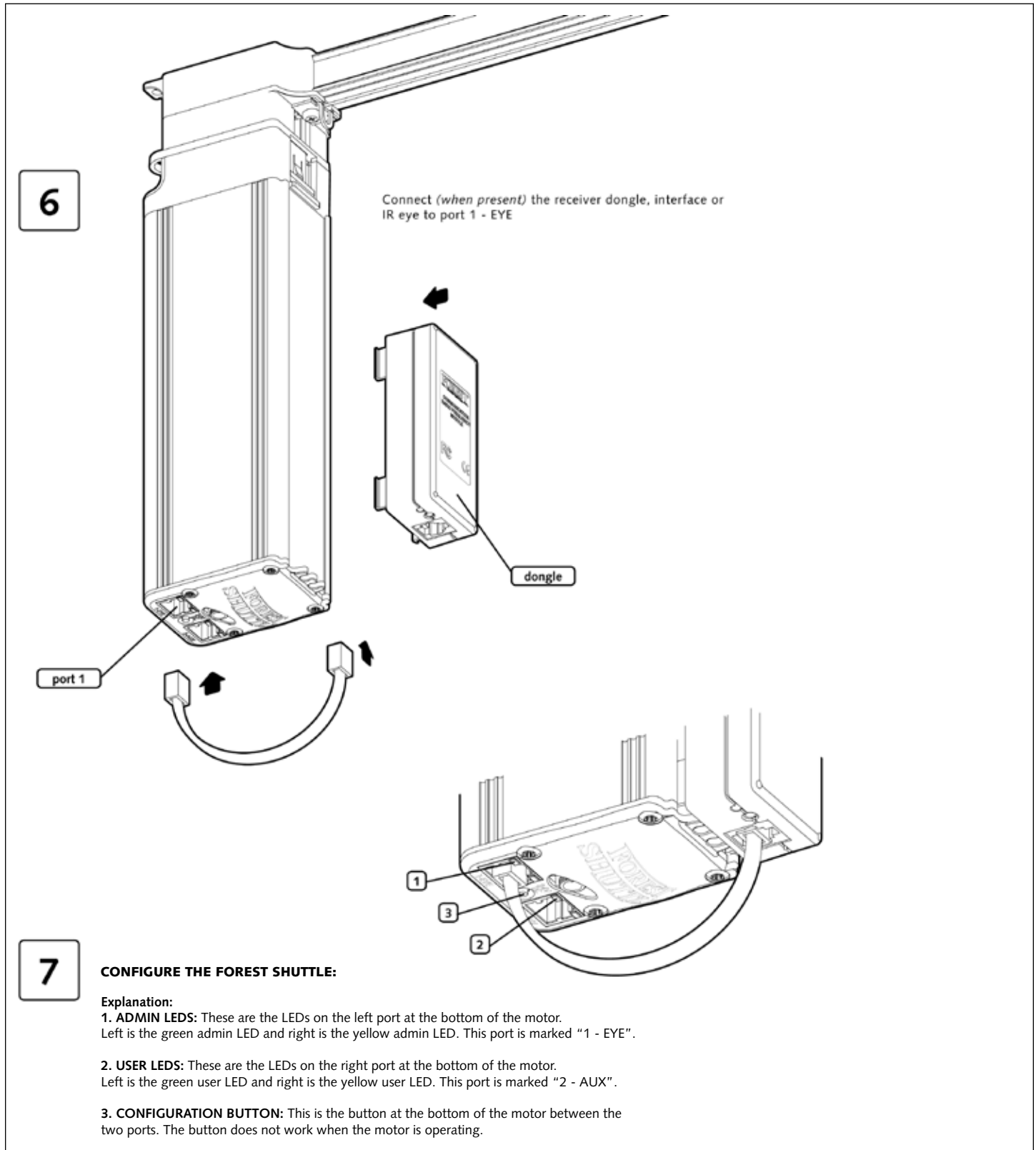
5

Connect the AC plug from the 24V power adaptor to the wall socket and the power plug into the motor socket. The green LED will light up. Push the configuration button, green LED will go off. Make sure strain relief is in place.



MOTORIZED DECORATIVE METAL POLE SET INSTALL INSTRUCTIONS

BY SIMPLY FOLLOWING THESE STEP-BY-STEP INSTRUCTIONS, YOU WILL SOON BE ENJOYING YOUR NEW DRAPERY HARDWARE.



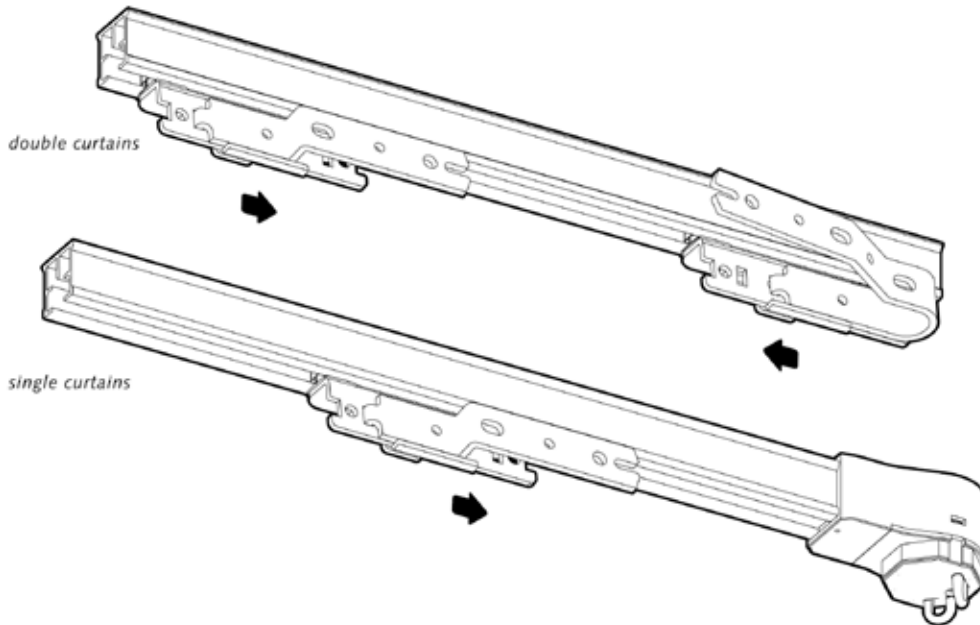
MOTORIZED DECORATIVE METAL POLE SET INSTALL INSTRUCTIONS

BY SIMPLY FOLLOWING THESE STEP-BY-STEP INSTRUCTIONS, YOU WILL SOON BE ENJOYING YOUR NEW DRAPERY HARDWARE.

8a

Determining the motor direction:

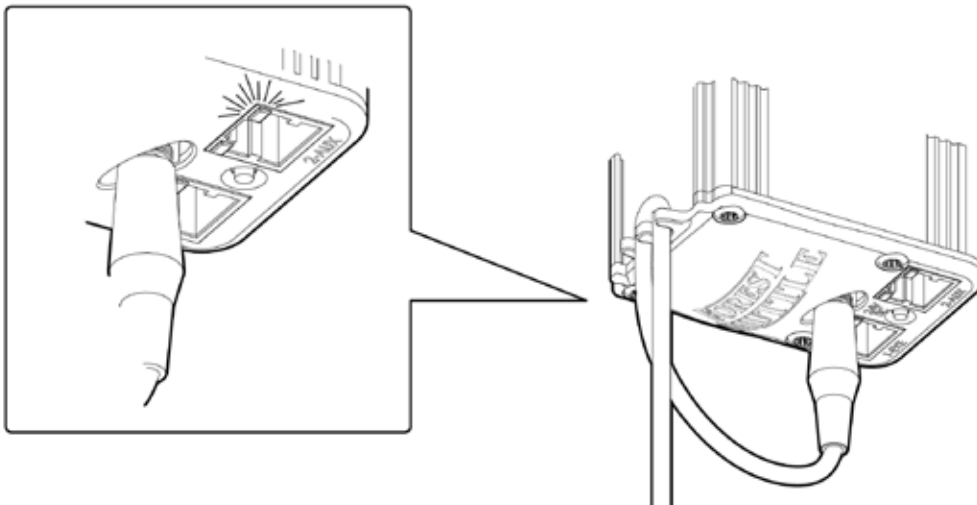
Pull the master carrier to the closed position, the motor will start running towards the closed position. Pay attention to the **YELLOW USER LED** (at right connector).



8b

Now the two possibilities are:

- a) **YELLOW LED OFF**, motor direction is correct, proceed to step 9.
- b) **YELLOW LED ON**, this indicates that the motor direction is wrong and the drapery stack back will be in the wrong position. Toggle the motor direction as shown in the options table on page 6.



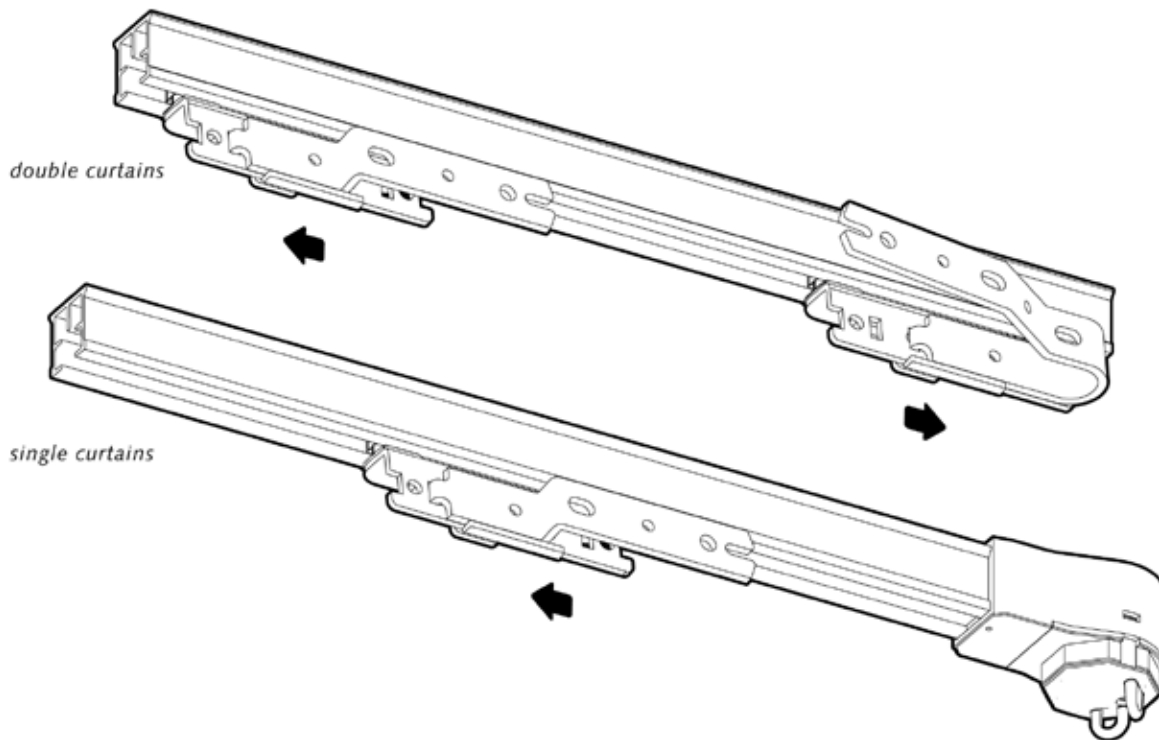
MOTORIZED DECORATIVE METAL POLE SET INSTALL INSTRUCTIONS

BY SIMPLY FOLLOWING THESE STEP-BY-STEP INSTRUCTIONS, YOU WILL SOON BE ENJOYING YOUR NEW DRAPERY HARDWARE.

9

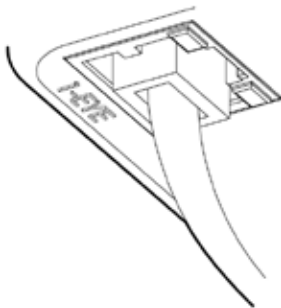
SETTING THE OPEN LIMITS:

Pull the master carrier in the open direction. This will start the motor and open the carriers. Once the drape has reached the OPEN position you have 7 seconds (while the YELLOW LED is on) to manually adjust the master carrier(s), setting the OPEN limit. After 7 seconds the YELLOW LED goes off and the limits are set.



10

In case of a receiver dongle (RF or IR), always connect to port 1 - EYE.

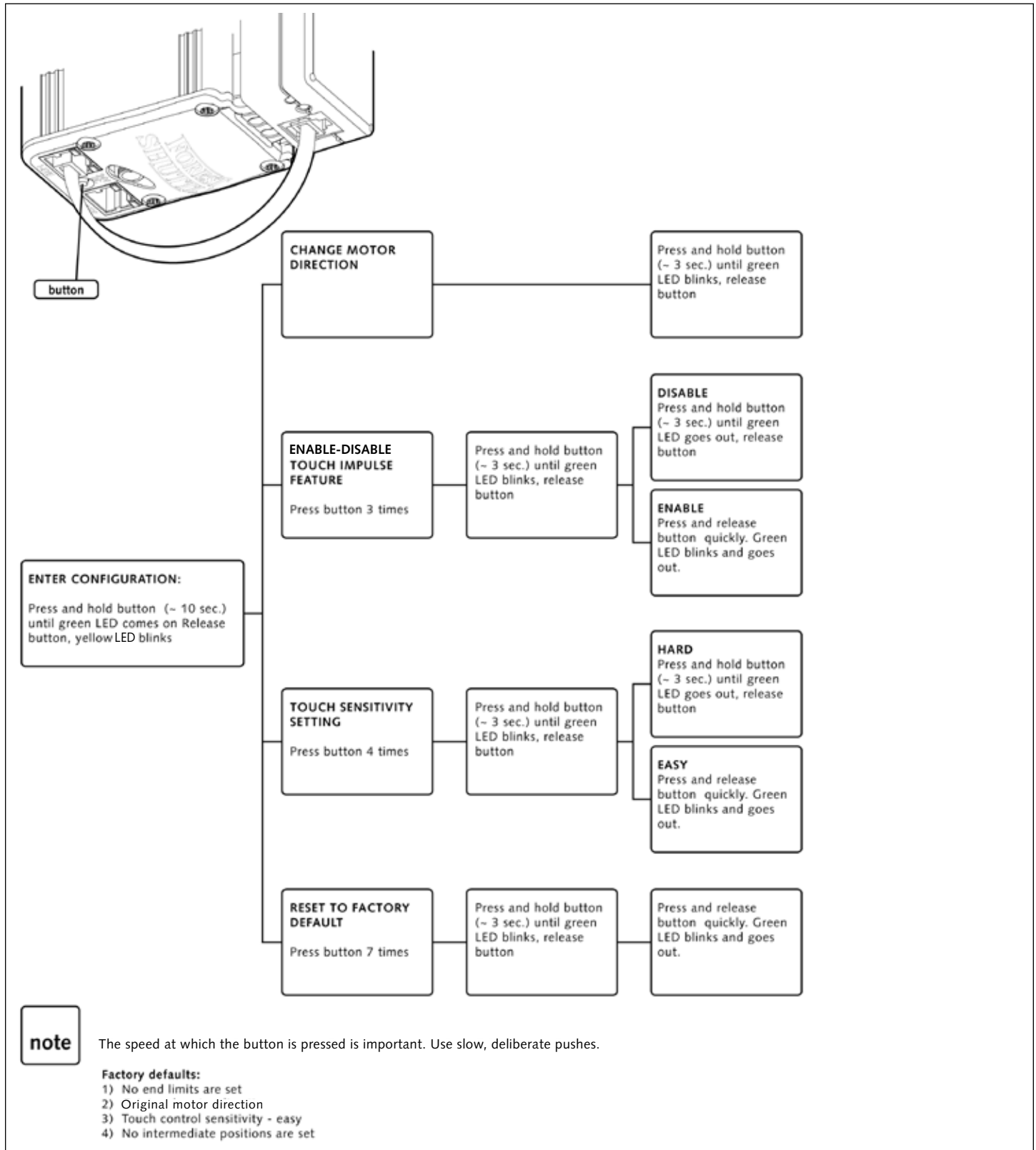


note

If you were not successful in setting the limits - re-set to factory default as shown in the options table on page 6 and proceed from step 8.

MOTORIZED DECORATIVE METAL POLE SET INSTALL INSTRUCTIONS

BY SIMPLY FOLLOWING THESE STEP-BY-STEP INSTRUCTIONS, YOU WILL SOON BE ENJOYING YOUR NEW DRAPERY HARDWARE.



MOTORIZED DECORATIVE METAL POLE SET INSTALL INSTRUCTIONS

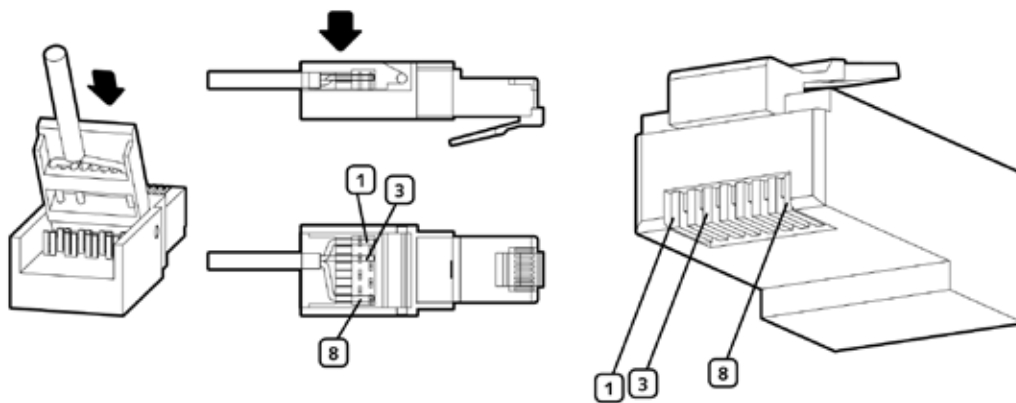
BY SIMPLY FOLLOWING THESE STEP-BY-STEP INSTRUCTIONS, YOU WILL SOON BE ENJOYING YOUR NEW DRAPERY HARDWARE.

extra

CONNECTING THE WALL SWITCH

Either of the 2 ports can be used to connect a (pulse) switch to open, close or stop the drapery. Pins 1, 3 and 8 are used for this. If pins 3 and 1 are connected by means of the switch then the drapery will open/close (based on if the motor direction has been changed). If pins 3 and 8 are connected then the drapery will move in the opposite direction. This connection can also be used for home automation systems. Be sure the outputs (relay) are dead with no potential for electrical current.

do-it-yourself plug



INCLUDING THE FOREST SHUTTLE INTO A Z-WAVE CONTROLLER NETWORK

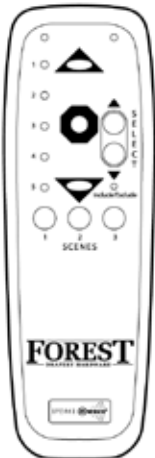
Steps:

- 1) Select channel on controller by pressing the select button.
- 2) Press include/exclude button with a pin, green LED on remote will light up.
- 3) Press the button on receiver dongle, which is attached to the Forest Shuttle.
- 4) Press select button on the controller to activate the chosen channel.
- 5) Press the button on receiver dongle.
- 6) Press stop button on controller. Including is completed.

for including to several channels, repeat steps 1) thru 6)

In case of 3rd party Z-wave controller:

Follow the instructions for the Z-Wave controller into which you wish to include the Forest Shuttle to put the controller into include mode. Next press and release the Z-wave button on receiver dongle, which is attached to the Forest Shuttle. The LED on the receiver dongle will blink green once. The controller should respond with an indication that the Forest Shuttle is included successfully.



EXCLUDING THE FOREST SHUTTLE FROM A Z-WAVE NETWORK

In case of a Forest Z-wave remote:

Press and hold the include/exclude button with a pin (~6 sec.) until the red LED on the remote lights up. Press the button on the receiver dongle, which is attached to the Forest Shuttle. The green LED on the remote will blink once. Excluding the Forest Shuttle is completed.

In case of 3rd party Z-wave controller:

Follow the instructions for the Z-Wave controller from which you wish to exclude the Forest Shuttle, to put the controller into exclude mode. Then press and release the Z-wave button on receiver dongle, which is attached to the Forest Shuttle. The LED on the receiver dongle will blink green once. The controller should respond with an indication that the Forest Shuttle was excluded successfully.

MOTORIZED DECORATIVE METAL POLE SET INSTALL INSTRUCTIONS

BY SIMPLY FOLLOWING THESE STEP-BY-STEP INSTRUCTIONS, YOU WILL SOON BE ENJOYING YOUR NEW DRAPERY HARDWARE.

MULTIPLE CONTROLLERS IN A Z-WAVE CONTROLLER NETWORK

If you want to control one or more Forest Shuttle motors with multiple remotes, the unique address of the primary controller has to be copied to the other controller(s).

Make sure the Forest Shuttle(s) are included in the Z-wave network of the primary controller:

Press the include/exclude button of the primary controller with a pin, green LED on controller will light up. Press (on the second controller) within 10 seconds the STOP and OPEN buttons simultaneously. Red LEDs 1 to 5 on the second remote will blink fast. The unique address of the primary controller is now copied.

Now the Forest Shuttle(s) must be included to a channel of the second controller:

Select channel 1 to 5 on the second controller. Press the include/exclude button with a pin, green LED will light up. Press the select button to activate the chosen channel, red LED (1 to 5) will light up. Press the button on receiver dongle, green LED on the second controller will blink once. Press the stop button of the second controller to complete.

In case of third party Z-wave controllers:

Follow instructions for the used controller.

To reset a (second) copied controller to its original unique address:

Press and hold the select UP and DOWN buttons simultaneously for approximately 5 seconds until all 7 LEDs light up.

note

Z-WAVE INTERMEDIATE POSITIONS SETTING

Before starting these steps, first put the master carrier in the desired position.

DESCRIPTION	STEP - 1 Enter Admin Mode	STEP - 2 Select Option	STEP - 3 Confirm Option	STEP - 4 Selection
Z-Wave Intermediate Position 1	PRESS and HOLD button (~ 9 sec) until GREEN LED comes on - RELEASE button. Yellow LED blinks once.	PRESS Config button one time. Yellow LED blinks 2 times.	PRESS and HOLD button (~ 3 sec.) until GREEN LED blinks - RELEASE button.	PRESS and RELEASE button QUICKLY. GREEN LED blinks and goes out.
Z-Wave Intermediate Position 2	PRESS and HOLD button (~ 9 sec) until GREEN LED comes on - RELEASE button. Yellow LED blinks once.	PRESS Config button two times. Yellow LED blinks 3 times.	PRESS and HOLD button (~ 3 sec.) until GREEN LED blinks - RELEASE button.	PRESS and RELEASE button QUICKLY. GREEN LED blinks and goes out.

Technical specification:

Voltage: 24Vdc
 Max. power: 65W
 Torque: 1,8Nm
 Speed: 15 cm/sec