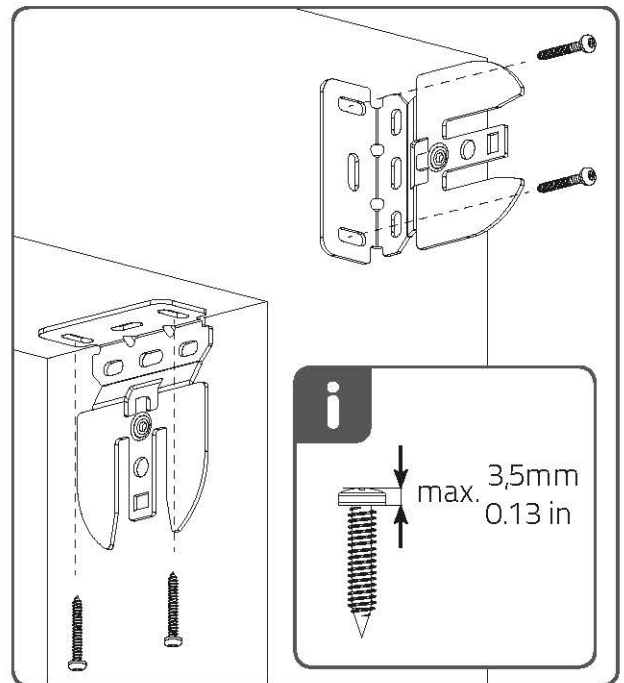
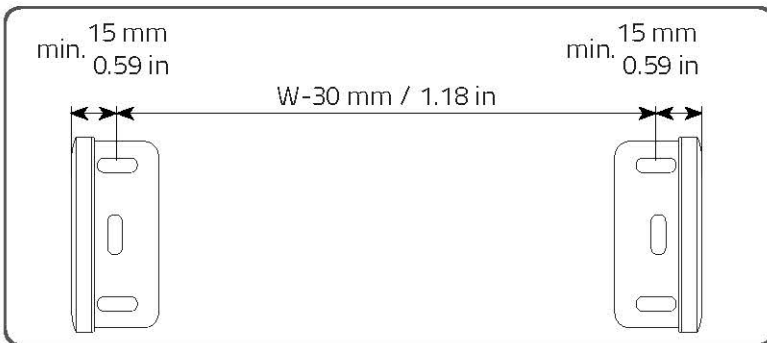
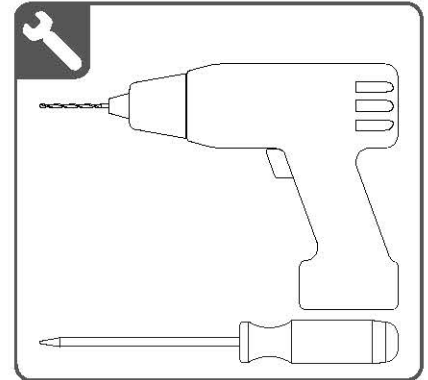
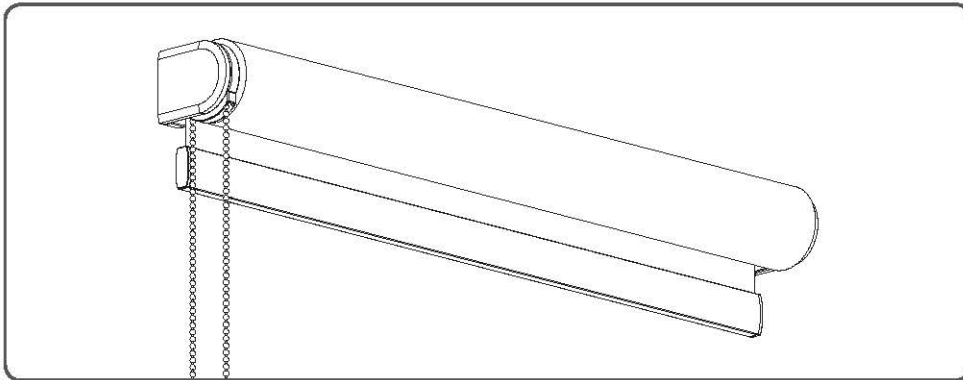


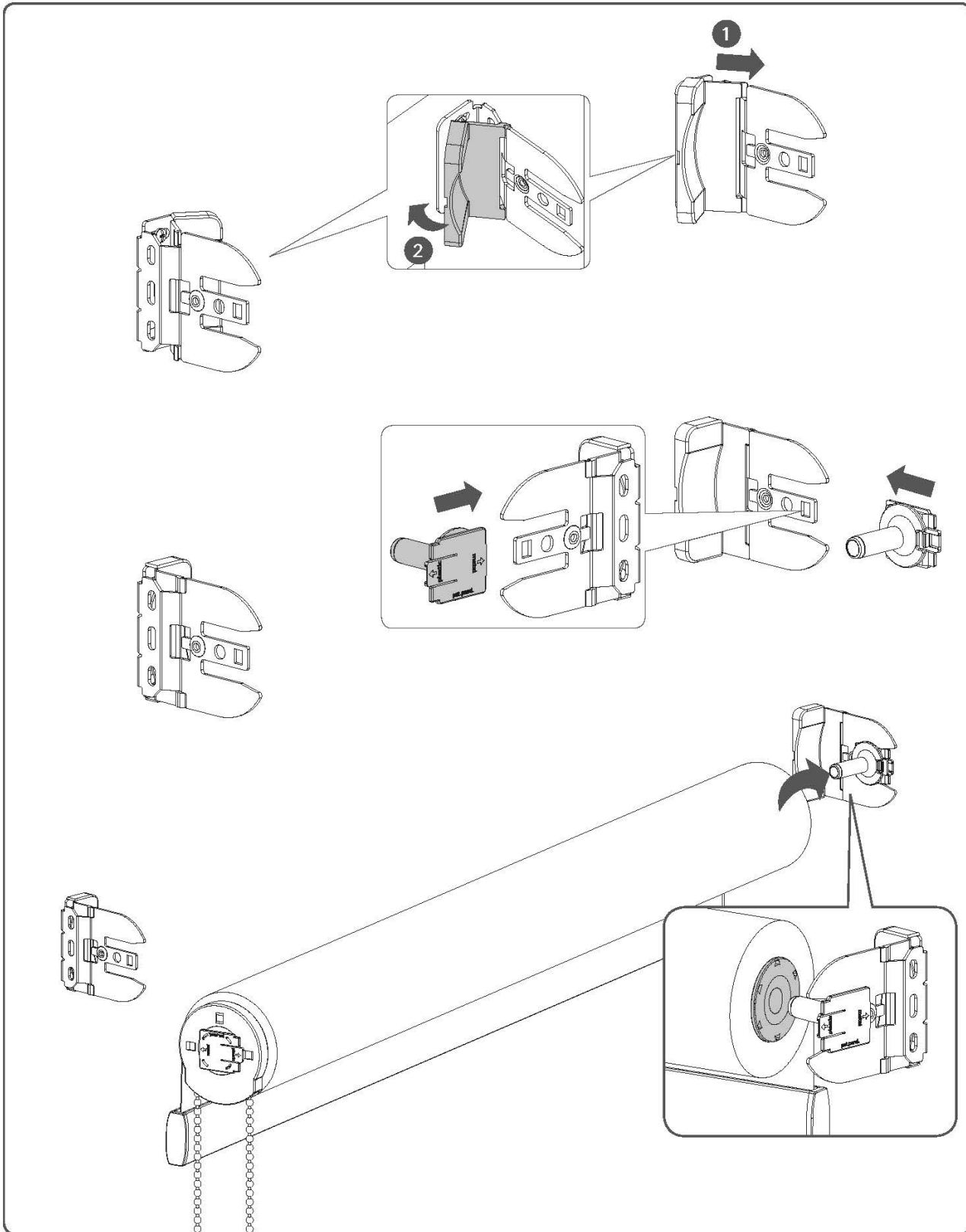
## MERCURY DIRECT MOUNT INSTALL INSTRUCTIONS

BY SIMPLY FOLLOWING THESE STEP-BY-STEP INSTRUCTIONS,  
YOU WILL SOON BE ENJOYING YOUR NEW ROLLER SHADES.



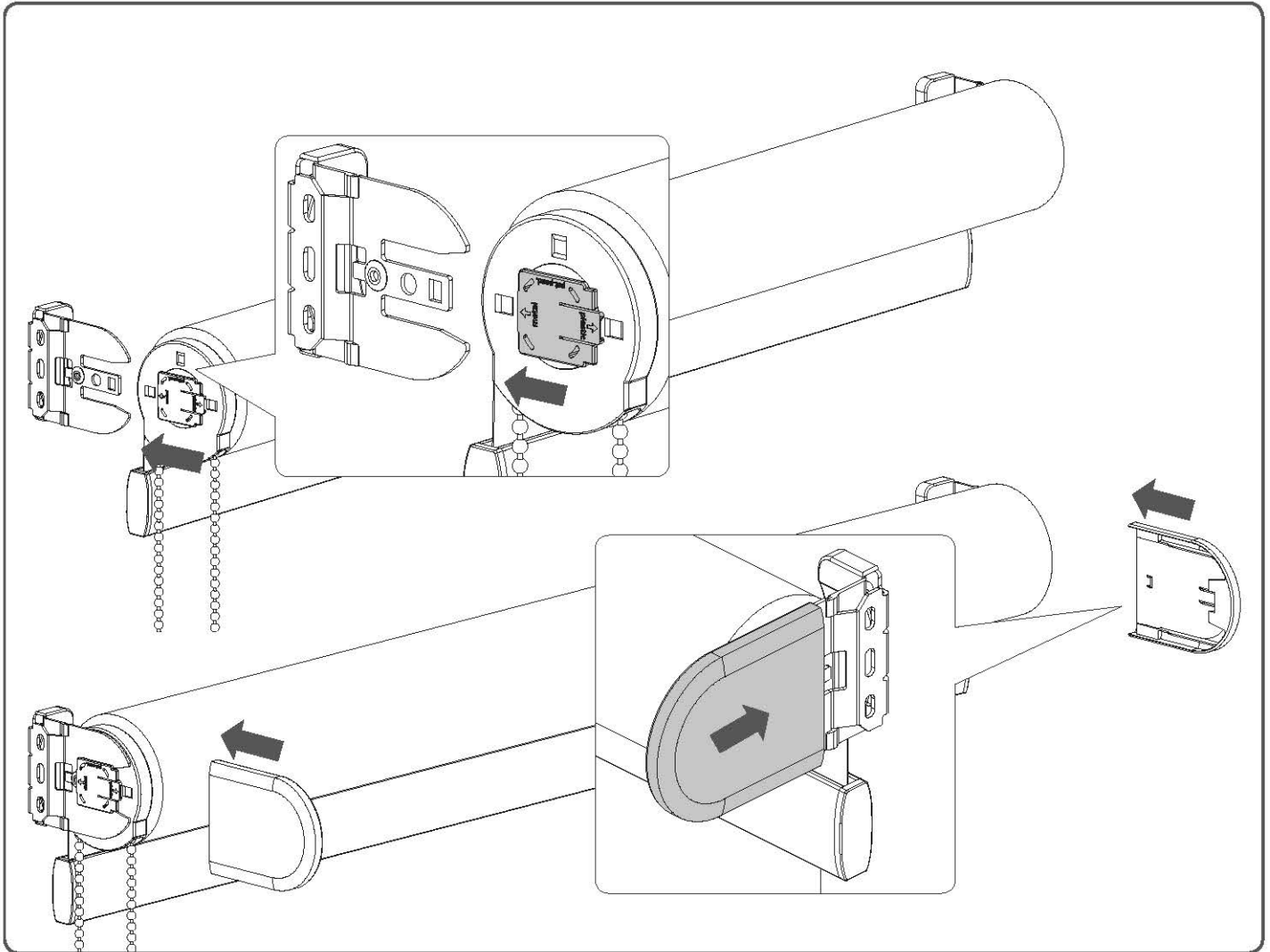
## MERCURY DIRECT MOUNT INSTALL INSTRUCTIONS

BY SIMPLY FOLLOWING THESE STEP-BY-STEP INSTRUCTIONS,  
YOU WILL SOON BE ENJOYING YOUR NEW ROLLER SHADES.



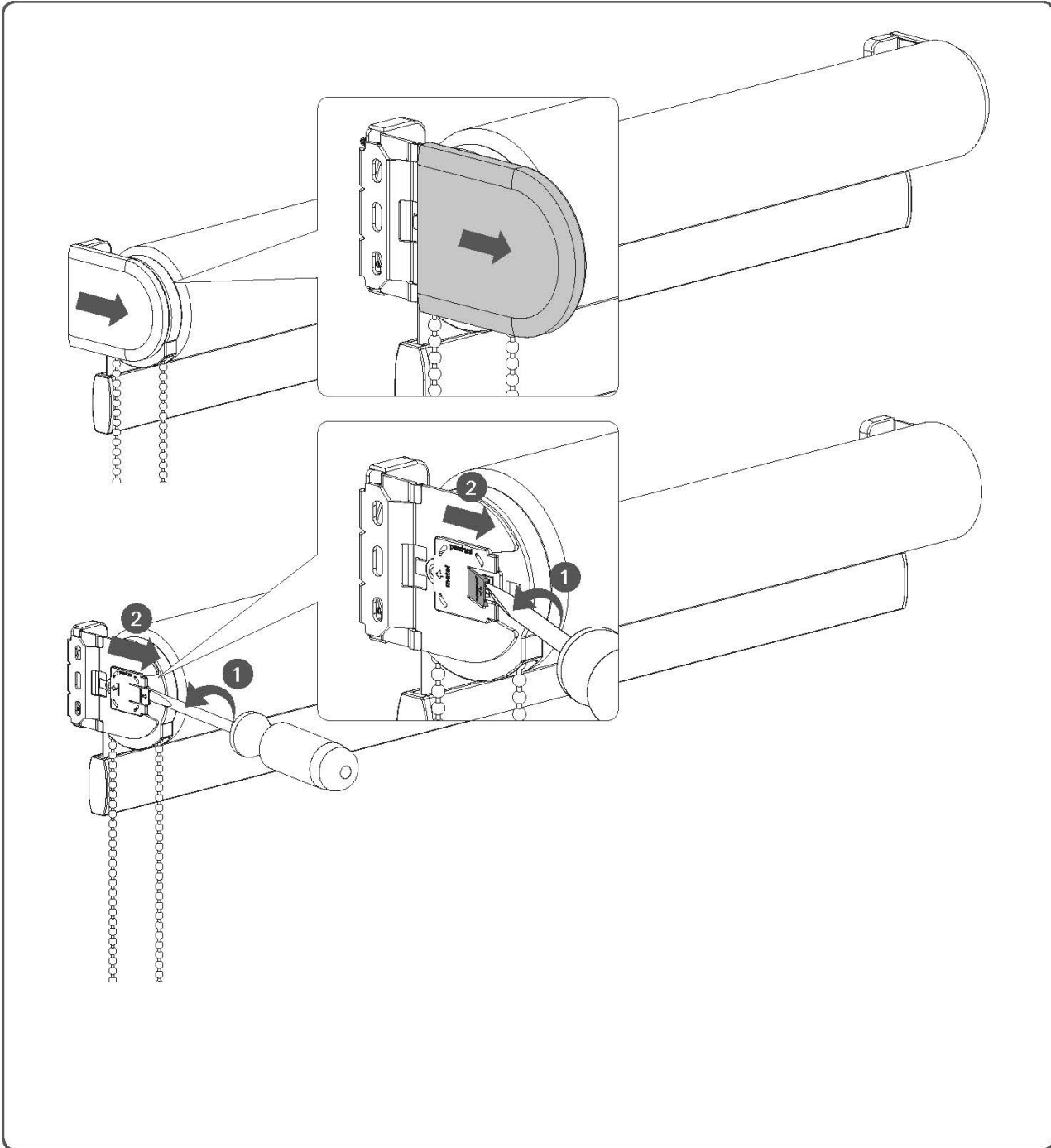
## MERCURY DIRECT MOUNT INSTALL INSTRUCTIONS

BY SIMPLY FOLLOWING THESE STEP-BY-STEP INSTRUCTIONS,  
YOU WILL SOON BE ENJOYING YOUR NEW ROLLER SHADES.



## MERCURY DIRECT MOUNT INSTALL INSTRUCTIONS

BY SIMPLY FOLLOWING THESE STEP-BY-STEP INSTRUCTIONS,  
YOU WILL SOON BE ENJOYING YOUR NEW ROLLER SHADES.



# 49502-00 TENSION DEVICE FOR CHILD SAFETY

## ASSEMBLY & INSTALLATION INSTRUCTIONS

BY SIMPLY FOLLOWING THESE STEP-BY-STEP INSTRUCTIONS, YOU WILL SOON BE ENJOYING YOUR NEW WINDOW TREATMENT.

### Getting Started:

Please read through all instructions carefully before you begin.

Unpack all materials making sure all components are included:

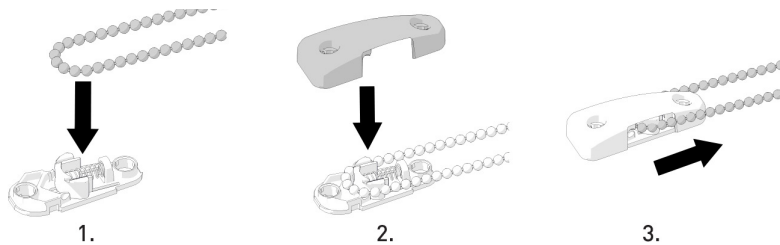


### Tools You Will Need:

- Phillips screwdriver or drill with Phillips bit
- Optional anchors if needed

### Assembling the 49502-00 Tension Device:

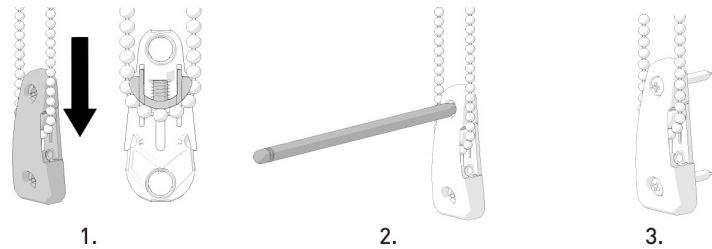
1. Place bead chain/cord on the bottom groove of the base.
2. Snap cover onto the base.
3. Pull the chain/cord out of the groove.



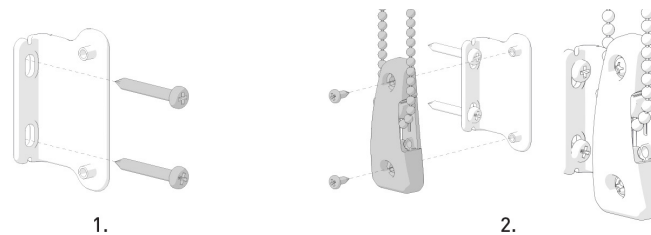
### Installing the 49502-00 Tension Device:

1. Pull the Chainhold down until the chain/cord is fully tensioned (plunger will be fully raised).
2. Mark screw hole locations.
3. Screw device into wall.

#### Direct Mount



#### Outside Mount



#### Side Mount

