

# Manual Traverse Configurations

## Baton Draw Single Traverse Systems | Round fascia in 1 3/8", 1 3/4" and 2 1/8" | Flat fascia in 2"

3/4 Cut smooth round fascia, flat fascia or track only

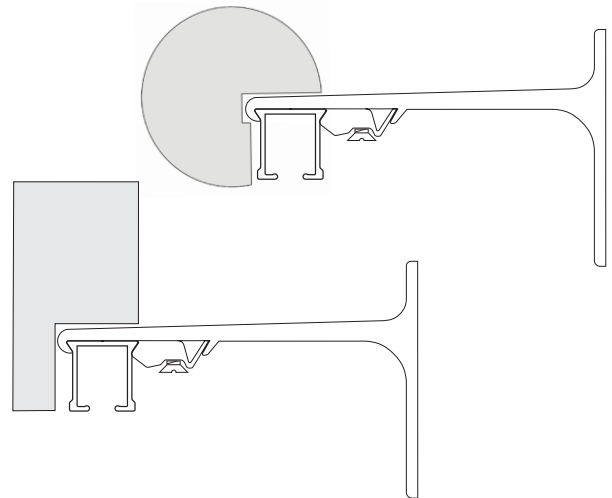
Fascia is available in Byron or custom finishes

Includes fascia, track, masters, carriers and brackets

Does not include finials or batons

Wall mount bracket projections: 3 1/2" and 5 1/2"

Ceiling mount bracket projection with a 2" drop.  
Must be purchased separately.



## Baton Draw Double Traverse Systems | Round fascia in 1 3/8", 1 3/4" and 2 1/8"

Front rod is 3/4 cut smooth round fascia, or track only

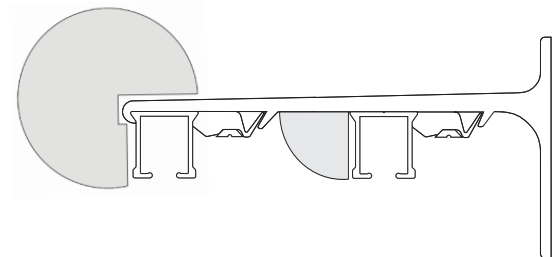
1/4 cut smooth round fascia is available for the back track

Fascia is available in Byron or custom finishes

Includes fascia, track, masters, carriers and brackets

Does not include finials or batons

Wall mount bracket projections: 1 7/8" and 5 1/2"



## 1 3/8" | 1 3/4" | 2 1/8" Profile Diameters

### Front Fascia

