



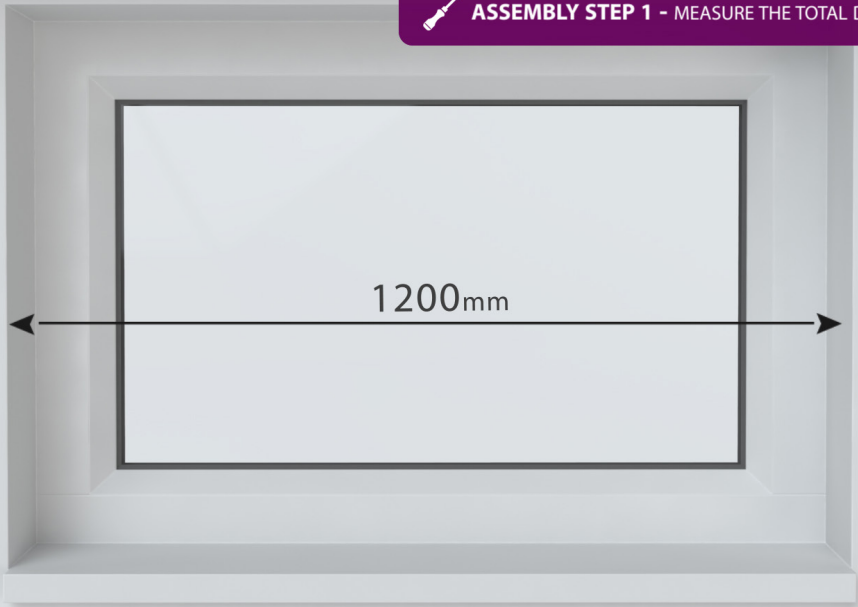
STEP-BY-STEP INSTRUCTION


Motorized Roller Blind System

Control your blinds
by motor to create
dark-out

 **ASSEMBLY STEP 1 - MEASURE THE TOTAL DESIRED SYSTEM WIDTH**

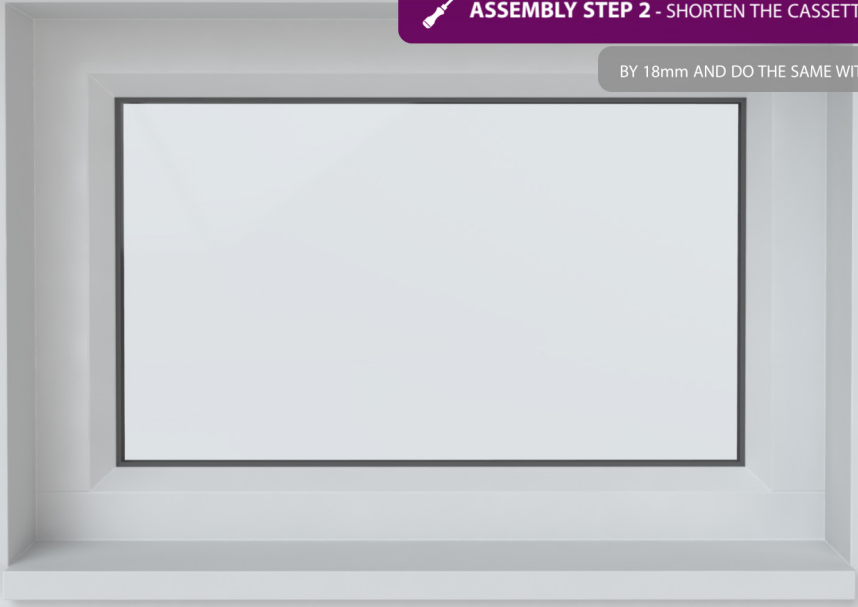
1



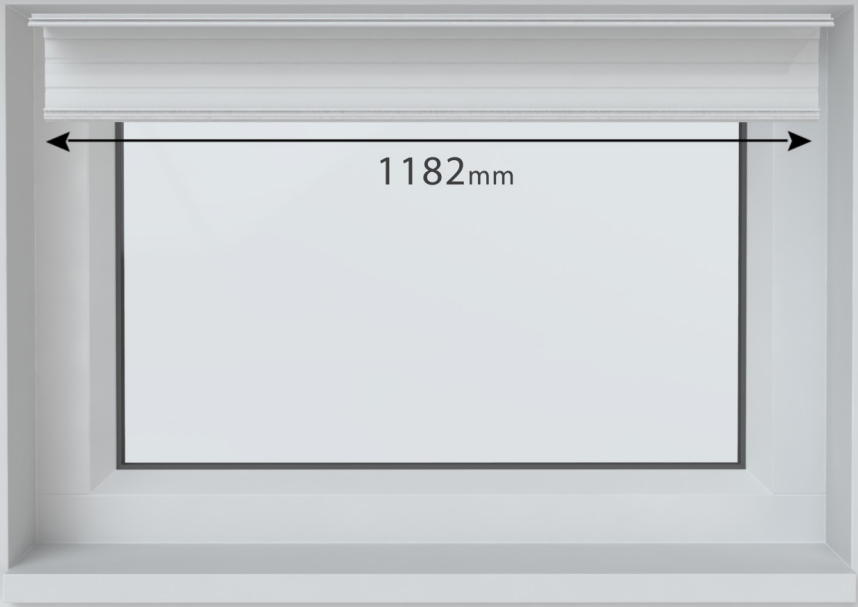
 **ASSEMBLY STEP 2 - SHORTEN THE CASSETTE MOUNTING PROFILE**

BY 18mm AND DO THE SAME WITH THE CASSETTE CAP

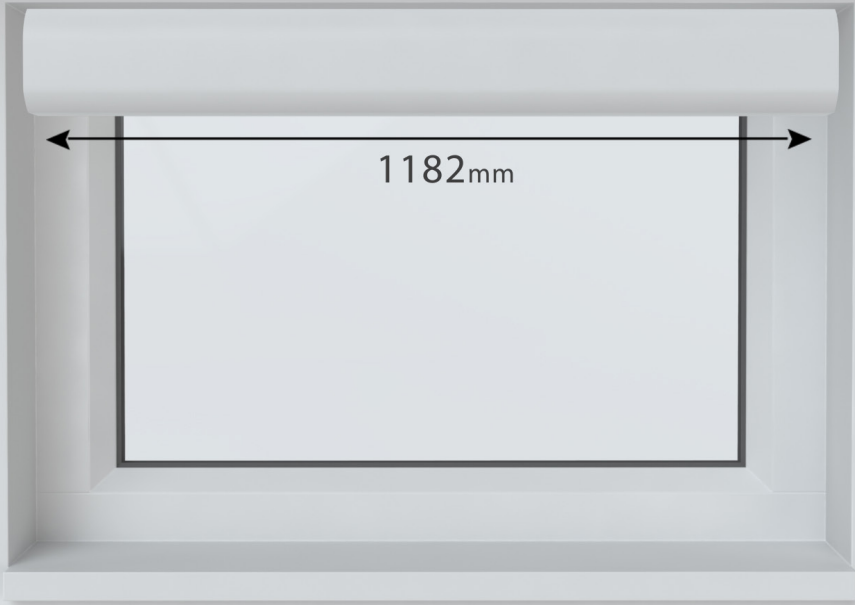
2.1



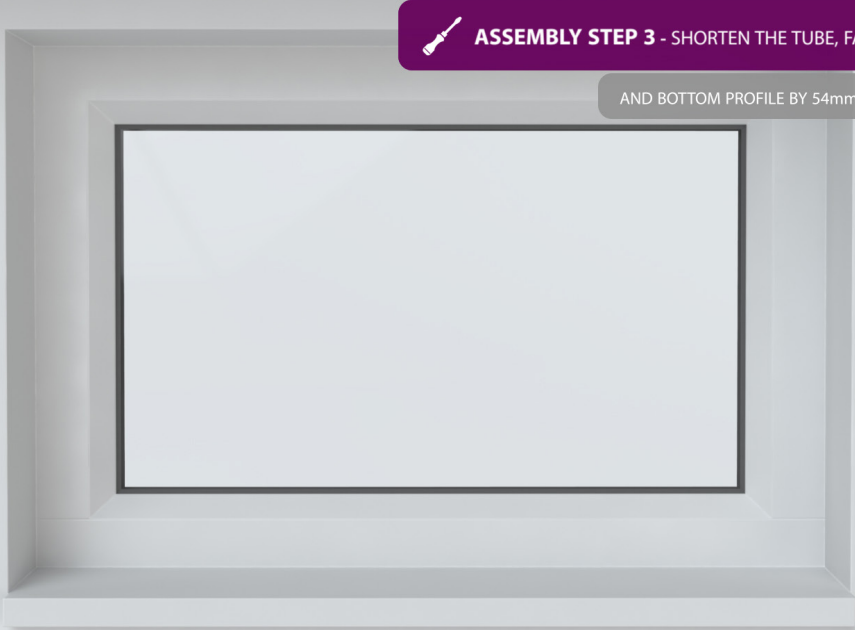
2.2



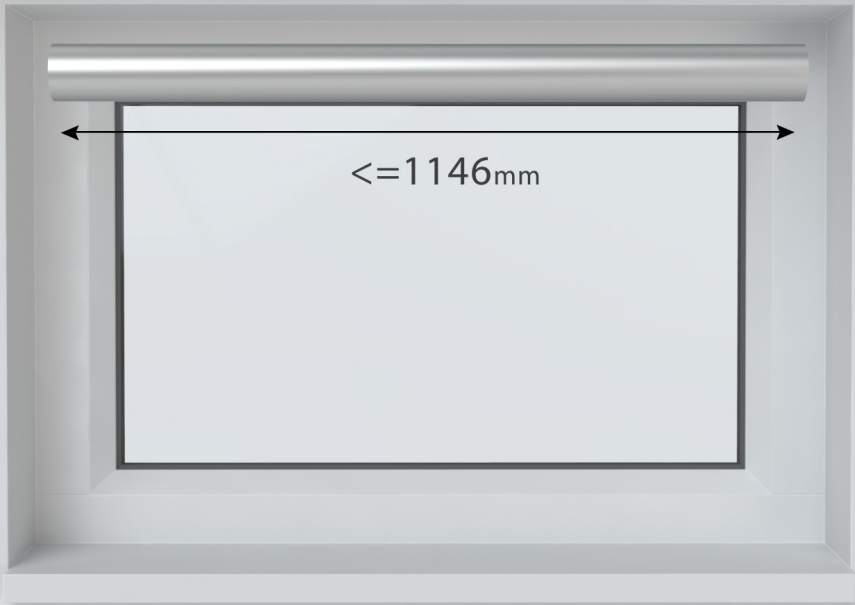
2.3



3.1



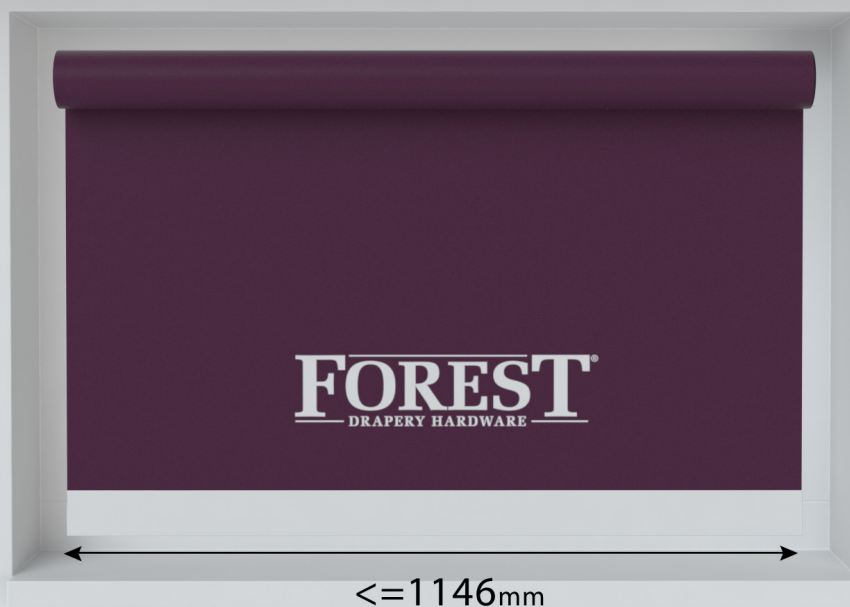
3.2



3.3



3.4



 **ASSEMBLY STEP 4 - TAKE THE CASSETTE MOUNTING PROFILE**

AND ATTACH THE MOTOR BRACKET AND IDLER BRACKET

4





ASSEMBLY STEP 5 - USE LOCTITE TO SECURE THE SCREWS

5.1



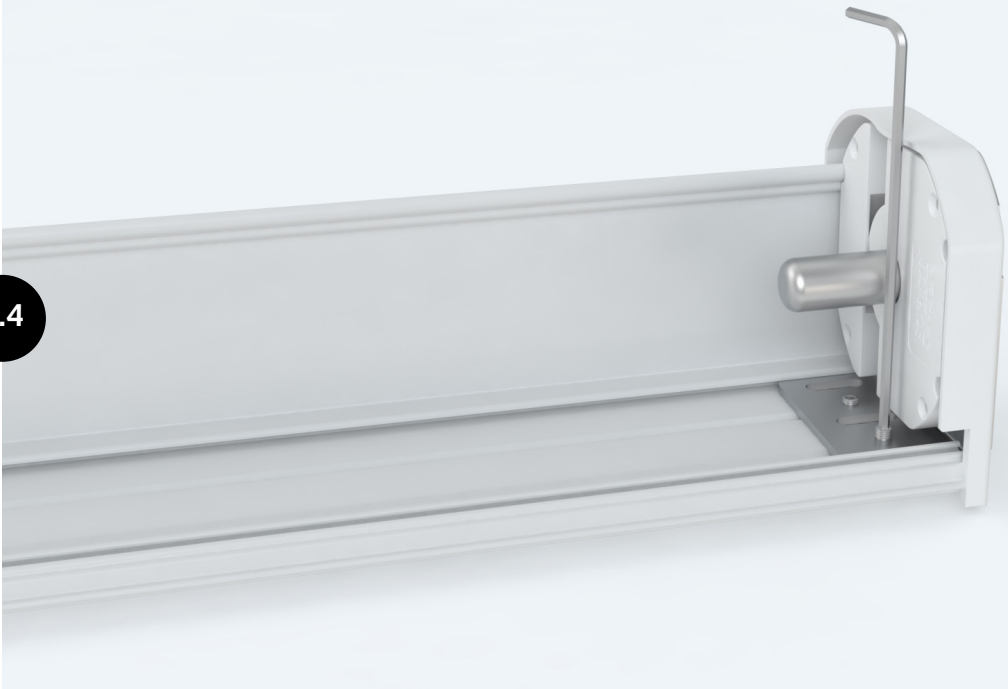
5.2



5.3



5.4



 **ASSEMBLY STEP 6 - REMOVE THE ENDCAPS**

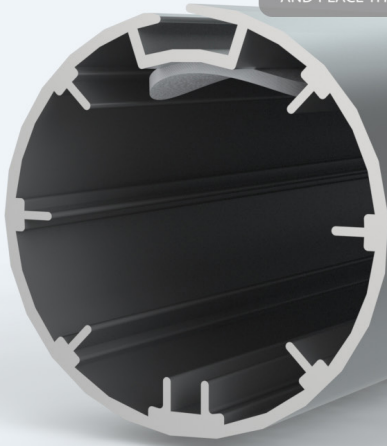
6



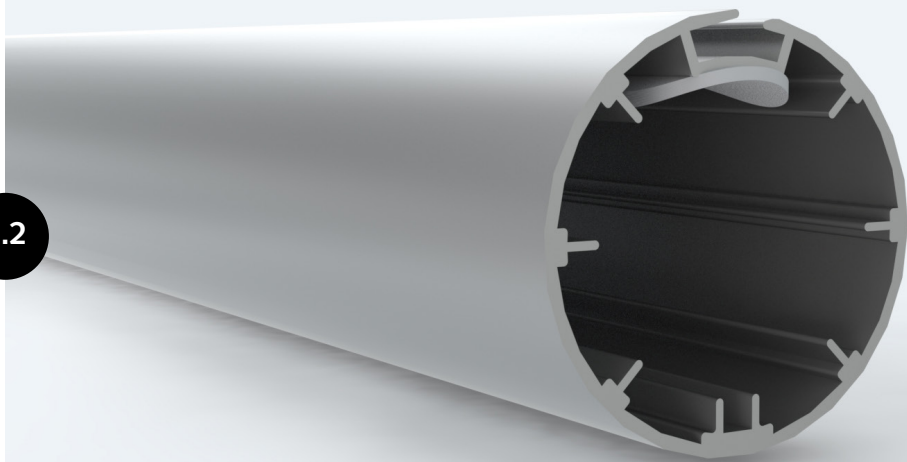
 **ASSEMBLY STEP 7 - TAKE THE TUBE**

AND PLACE THE ADHESIVE PADS (SKIP WHEN USING THE 60mm TUBE)

7.1



7.2



8



ASSEMBLY STEP 8 - STICK THE ADHESIVE STRIP

TO THE TOPSIDE OF THE FABRIC (*ROOMSIDE*)



9



ASSEMBLY STEP 9 - FOLD THE FABRIC WITH THE ADHESIVE STRIP

TWICE AROUND THE STRIP (IF FABRIC THICKNESS ALLOWED)

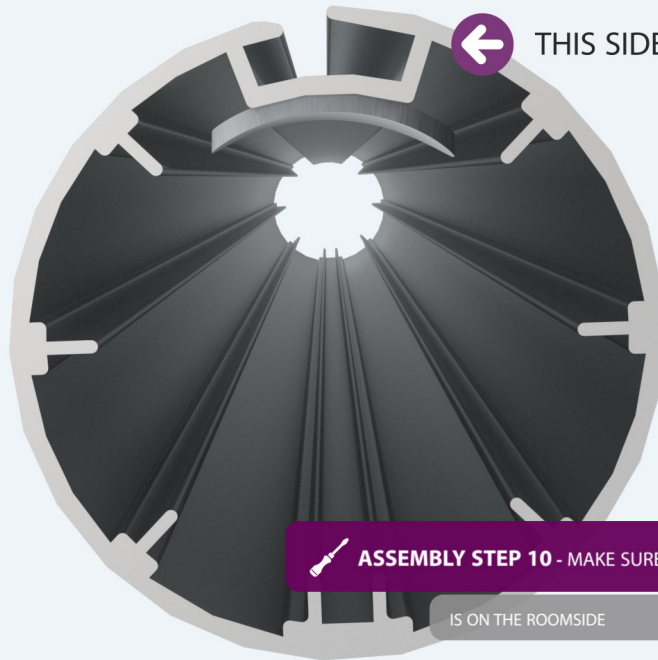




THIS SIDE IS 4/10 mm HIGHER

10

WINDOW SIDE



ROOMSIDE



ASSEMBLY STEP 10 - MAKE SURE THE HIGHER PART OF THE TUBE

IS ON THE ROOMSIDE

11.1

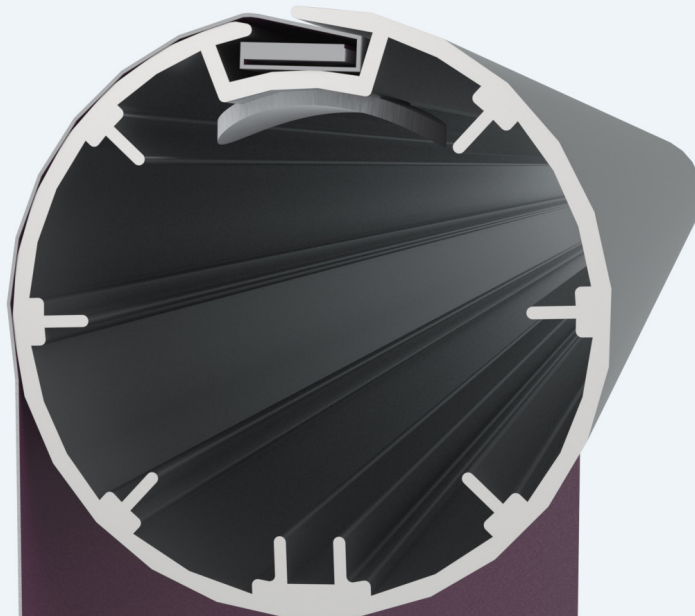


ASSEMBLY STEP 11 - SLIDE THE FABRIC WITH THE STRIP

INTO THE TUBE



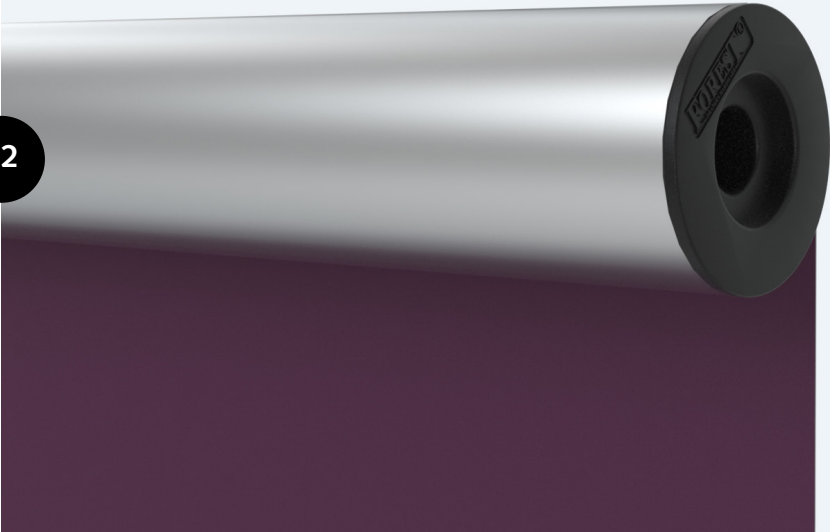
11.2





ASSEMBLY STEP 12 - SLIDE THE IDLER INTO THE TUBE

12



ASSEMBLY STEP 13 - STICK THE ADHESIVE STRIP

13



ON THE BOTTOM SIDE OF THE FABRIC (*ROOMSIDE*)



ASSEMBLY STEP 14 - FOLD THE FABRIC WITH THE ADHESIVE STRIP

14



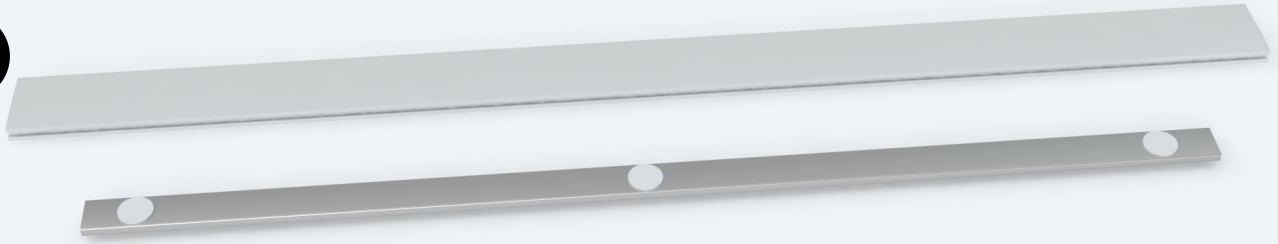
TWICE AROUND THE ADHESIVE STRIP (IF FABRIC THICKNESS ALLOWED)



ASSEMBLY STEP 15 - PLACE ADHESIVE PADS ONTO THE WEIGHT PROFILE

MAKE SURE THE WEIGHT PROFILE IS \leq 4cm SHORTER THAN THE BOTTOM PROFILE

15



ASSEMBLY STEP 16 - SLIDE THE WEIGHT PROFILE

INTO THE BOTTOM PROFILE

16



ASSEMBLY STEP 17 - SLIDE THE FABRIC INTO THE BOTTOM PROFILE

MAKE SURE THE HIGHER SIDE IS FACING THE ROOM

17





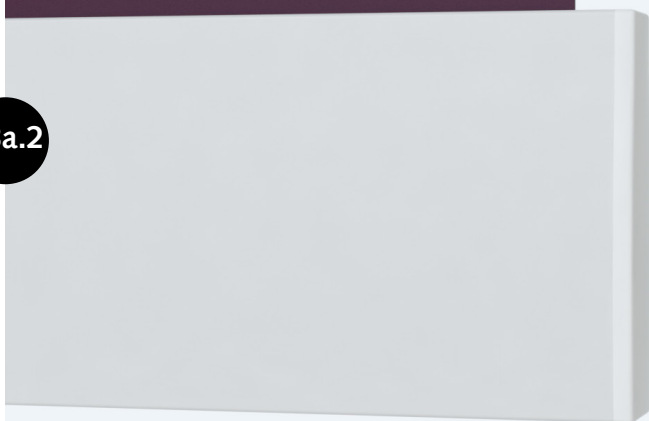
ASSEMBLY STEP 18a - ATTACH THE ENDCAPS TO THE BOTTOM PROFILE

IMPORTANT WHEN DARK-OUT IS NEEDED GO TO STEP 18b and 18c

18a.1



18a.2

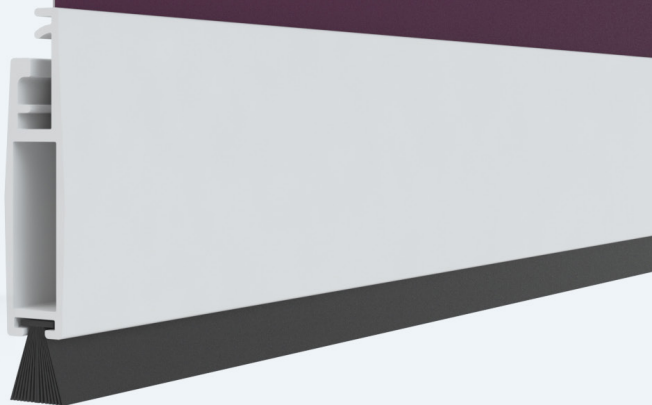
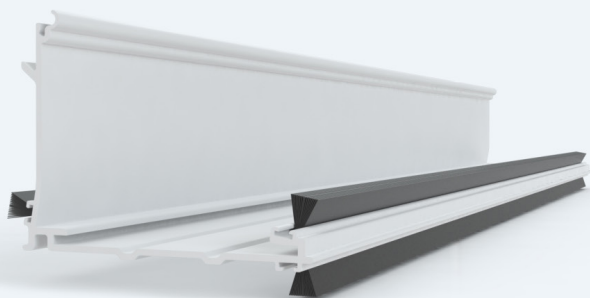


ASSEMBLY STEP 18b - IMPORTANT IN CASE OF DARK-OUT

SLIDE THE BRUSH INTO THE BOTTOM PROFILE AND MOUNTING PROFILE

! ONLY SLIDE IN THE BRUSHES THAT ARE NEEDED FOR WALL OR CEILING FIXATION

18b





ASSEMBLY STEP 18c - ATTACH THE ENDCAPS

AND BOTTOM WEIGHT FIXATORS TO THE BOTTOM PROFILE

18c.1



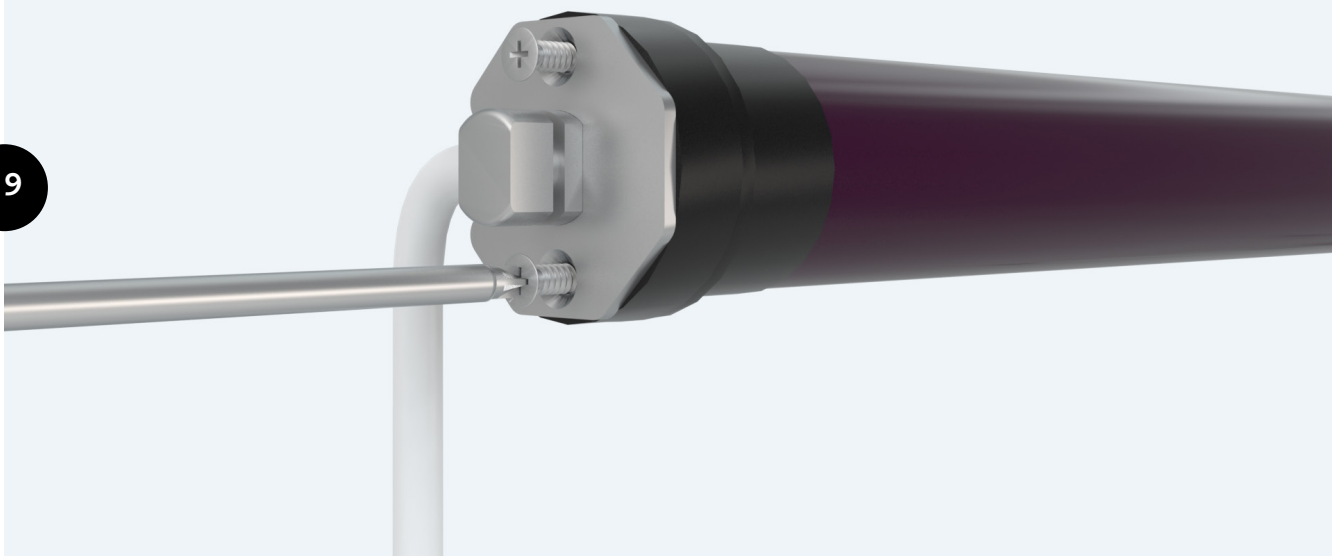
18c.2



ASSEMBLY STEP 19 - TAKE THE MOTOR

AND ATTACH THE MOTOR ADAPTOR 50mm OR THE 60mm

19

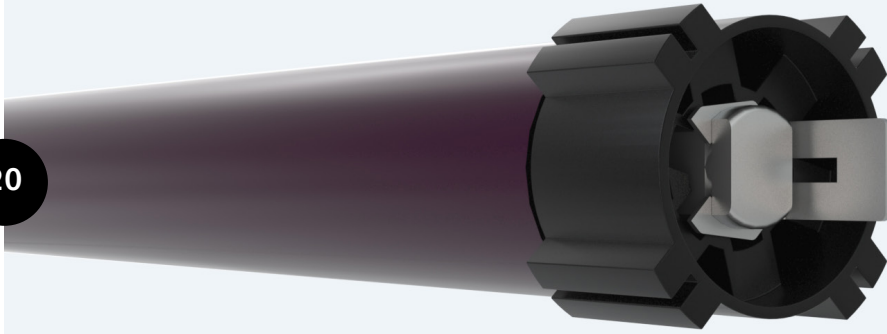




ASSEMBLY STEP 20 - ATTACH THE DRIVE ADAPTER 50mm OR 60mm

AND SECURE IT WITH THE FIXING CLIP

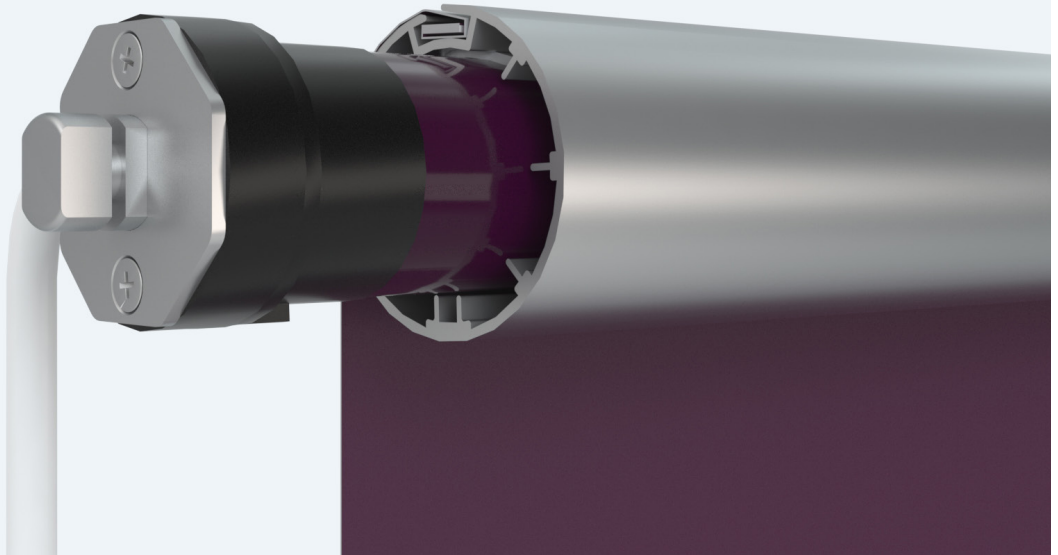
20



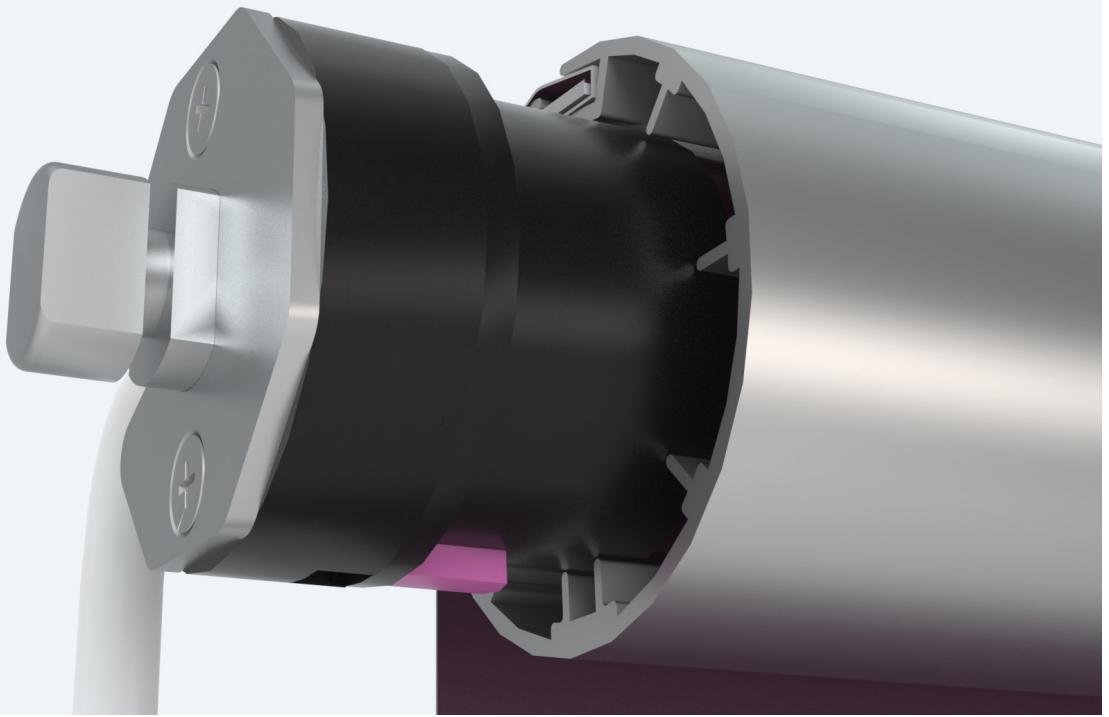
ASSEMBLY STEP 21 - SLIDE THE MOTOR INTO THE TUBE

MAKE SURE IT FITS CORRECTLY INTO THE TUBE

21.1



21.2

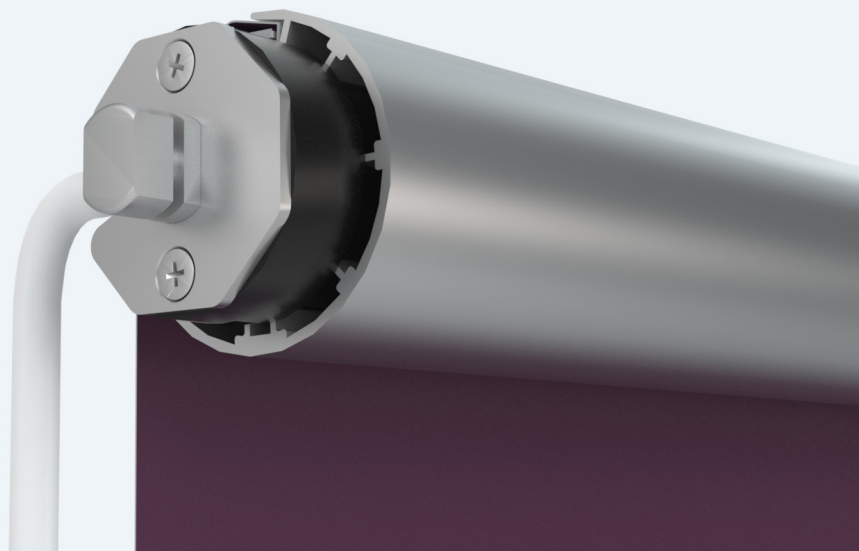




ASSEMBLY STEP 21 - SLIDE THE MOTOR INTO THE TUBE

MAKE SURE IT FITS CORRECTLY INTO THE TUBE

21.3



ASSEMBLY STEP 22 - SLIDE THE IDLER SIDE OF THE BLIND

INTO THE IDLER BRACKET

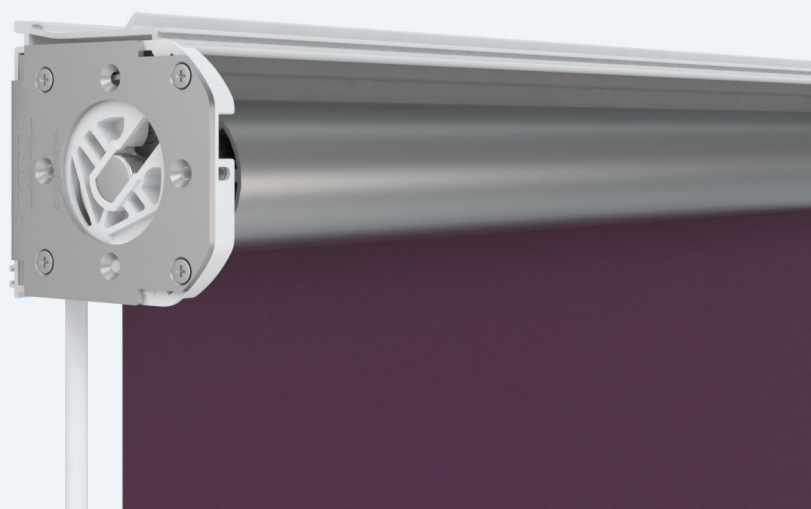
22



ASSEMBLY STEP 23 - AND INSERT THE MOTOR SIDE OF THE BLIND

INTO THE MOTOR BRACKET

23



24.1

 **ASSEMBLY STEP 24 - SECURE THE TUBE**

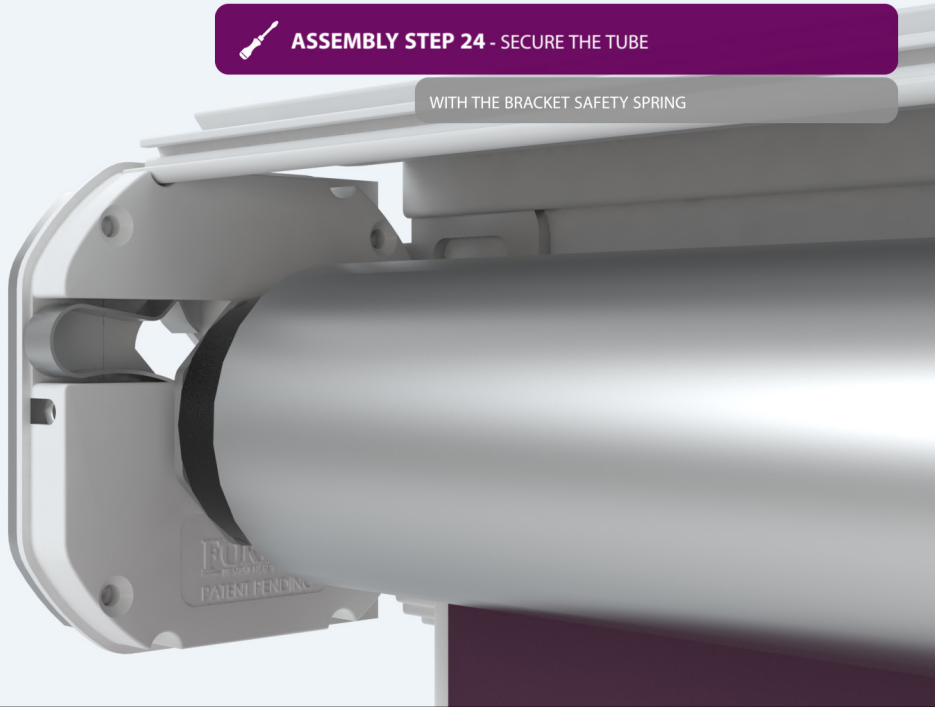
WITH THE BRACKET SAFETY SPRING




24.2

 **ASSEMBLY STEP 24 - SECURE THE TUBE**

WITH THE BRACKET SAFETY SPRING



25.1

 **ASSEMBLY STEP 25 - MOUNT THE CASSETTE BRACKETS**

TO THE WALL OR CEILING



25.2



ASSEMBLY STEP 26 - CLICK THE MOUNTING PROFILE

INTO THE CASSETTE BRACKETS AND TIGHTEN THE SCREWS

26.1



26.2



26.3



27



ASSEMBLY STEP 27 - NOW PROGRAM THE END LIMITS

OF THE MOTOR (REFER TO THE MOTOR MANUAL FOR INSTRUCTIONS)



28.1



ASSEMBLY STEP 28 - ATTACH THE CASSETTE CAP AND ENDCAPS

WHEN INSTALLING DARK-OUT CONTINUE WITH STEP 28a





ASSEMBLY STEP 28 - ATTACH THE CASSETTE CAP AND ENDCAPS

WHEN INSTALLING DARK-OUT CONTINUE WITH STEP 28a

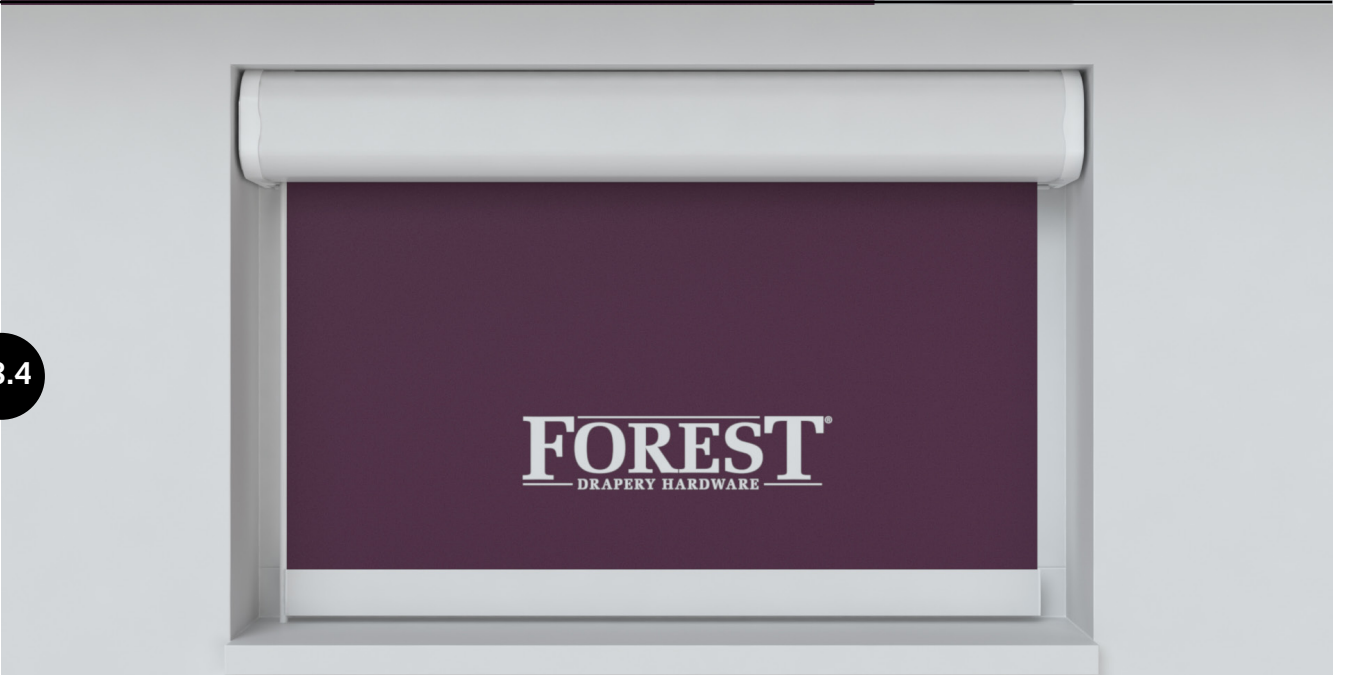
28.2



28.3



28.4





ASSEMBLY STEP 28a - ATTACH THE GUIDE PROFILE ENDCAPS

TO THE CASSETTE CAP AND SLIDE THEM INTO THE RIGHT POSITIONS

28a.1



28a.2



ASSEMBLY STEP 28b - SLIDE THE FABRIC

INTO THE GUIDE PROFILE ENDCAPS

28b.1





ASSEMBLY STEP 28b - SLIDE THE FABRIC

INTO THE GUIDE PROFILE ENDCAPS

28b.2

28b.3



ASSEMBLY STEP 28c - ATTACH THE ENDCAPS

TO THE COVER CAP

28c.1

28c.2



28d.1

 **ASSEMBLY STEP 28d** - ATTACH THE SIDE GUIDE PROFILES

TO THE GUIDE PROFILE ENDCAPS



28e.2





ASSEMBLY STEP 28e - SLIDE THE BRUSHES

INTO THE SIDE GUIDE PROFILES

28e.2



ASSEMBLY STEP 28f - MOUNT THE SIDE GUIDE PROFILES TO THE WALL

IMPORTANT PREDRILL THE SIDE GUIDE PROFILES FOR AN EASIER FIT

28f.1



MAKE SURE TO KEEP =>100mm OF FREE SPACE

AT THE TOP AND BOTTOM OF THE SIDE GUIDE PROFILES

28f.2

100mm

100mm

100mm

100mm





WWW.FORESTGROUP.COM