

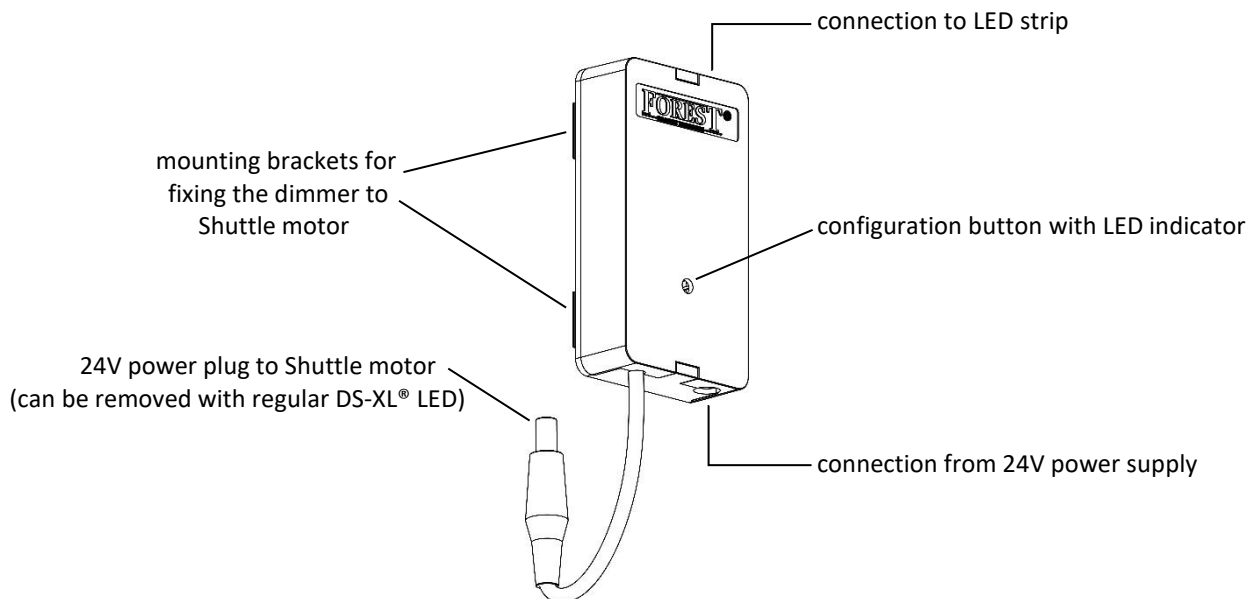
Installing & Programming the
FOREST DS-XL® LED DIMMER 3103-25

Installing the Forest DS-XL® LED dimmer:

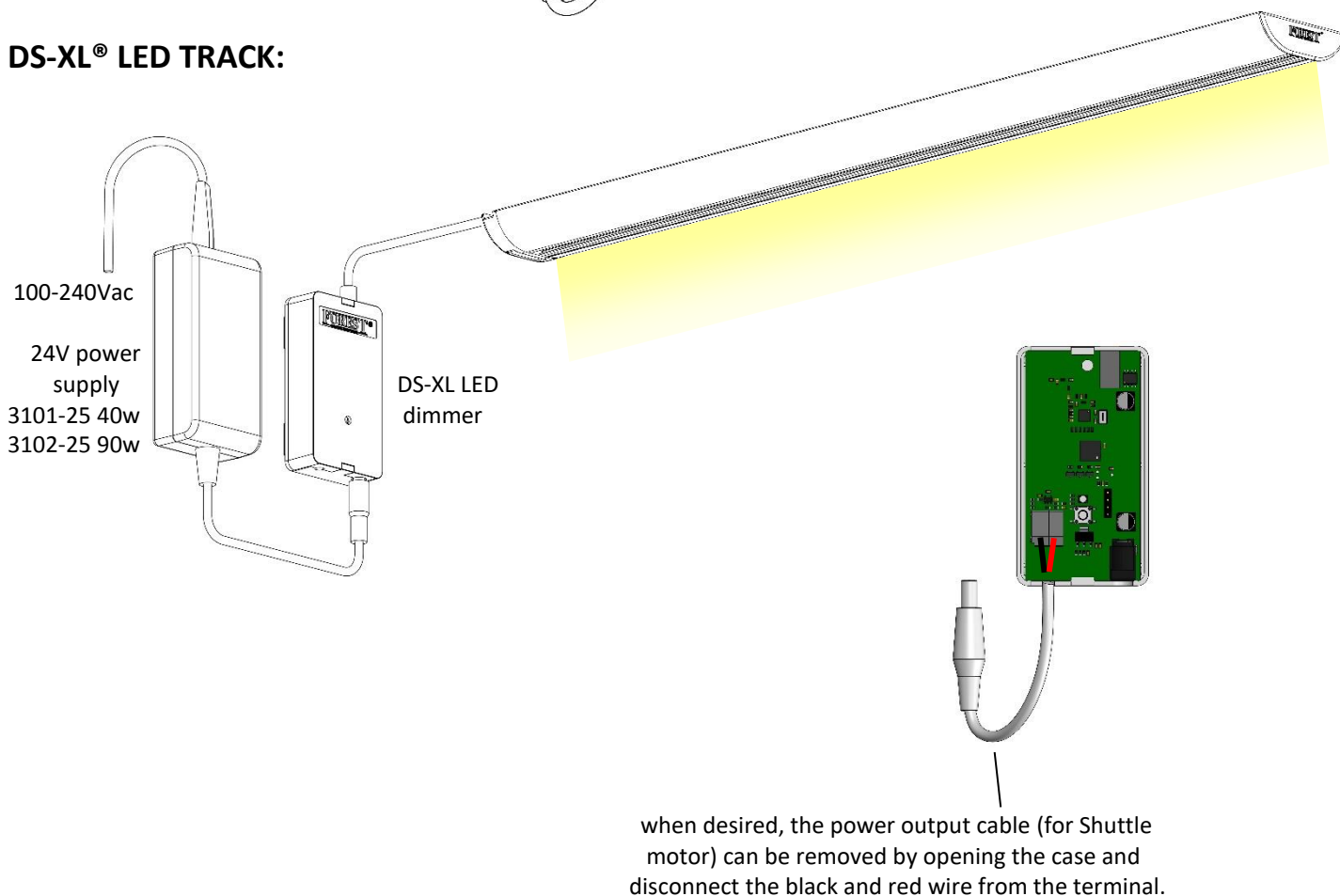
The DS-XL dimmer is used to control the LED strip of the DS-XL® LED track. Turning on/off and setting the brightness can be done with the Forest Diamond Remote, Forest wireless wall switch or smart home devices like Homey or Smartwares switch.

- Press OPEN button: LED will turn on.
- Press CLOSE button: LED will turn off.
- Press STOP button: Each press will increase the brightness by 10%, until 100% is reached. Press once more and the LED brightness is back at 10%.

When the DS-XL® LED is turned on, the brightness level will return to its last setting.



DS-XL® LED TRACK:



DS-XL® LED TRACK MOTORIZED:

As soon as the Shuttle motor comes into operation (opening / closing the drapery), the LED strip will automatically dim to a brightness of 30%. As soon as the motor stops, the original brightness will be restored.

CONFIGURATION MENU:

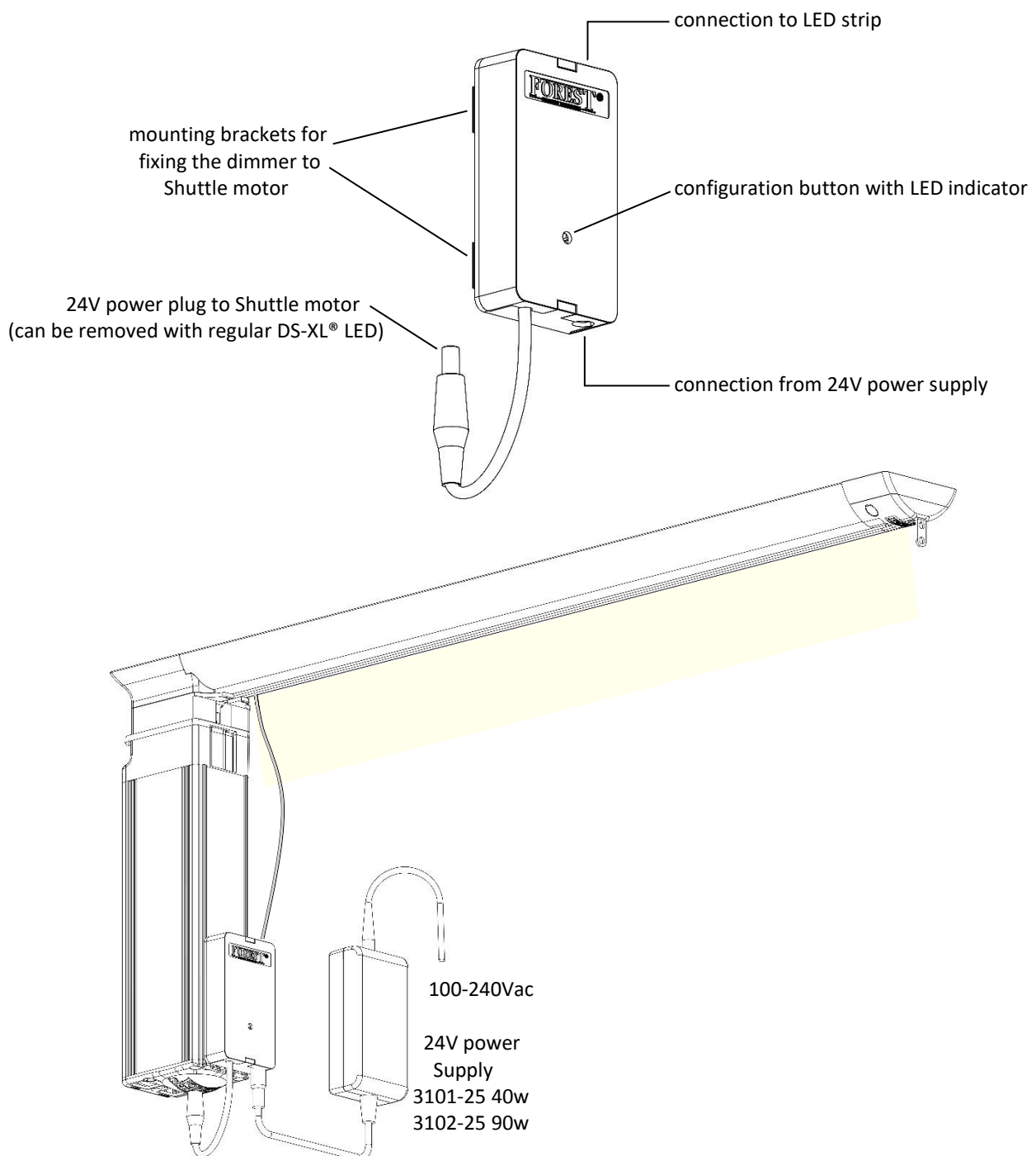
Number of presses	LED Color	Function
1		RF Learn
2		Toggle on/off

Confirm the desired setting by pressing the configuration button for 4 seconds until the LED indicator blinks 3 times and goes OFF.

Programming RF remote channel (1):

To program a Forest remote control, RF Wall Switch or Forest Wireless Connector, press the configuration button once. LED indicator is RED. Press and hold once more for 4 seconds, the LED indicator will start blinking red for 10 seconds. Now press the OPEN button on the remote control within these 10 seconds. The LED indicator becomes white shortly. Now the DS-XL® LED dimmer can be controlled by a Forest remote, wall switch or wireless connector.

To erase a copied channel, repeat the same procedure, but press CLOSE instead of OPEN.



Invert RF output (2):

Standard setting is: OPEN button will turn the DS-XL® LED strip on, CLOSE button will turn the DS-XL® LED strip off. The ON/OFF commands can be inverted by pressing the configuration button two times, LED indicator is GREEN. Now press and hold once more for at least 4 seconds to confirm. LED indicator will blink three times. Now the OPEN button will turn the DS-XL® LED strip off, the CLOSE button will turn the DS-XL® LED strip on.

Reset to default setting:

Keep the configuration button on the DS-XL® LED dimmer pressed for at least ≥ 12 sec, the LED indicator will start blinking fast for 2 seconds and go off. Now the DS-XL® LED dimmer is back to factory default.

Technical specification of the FOREST DS-XL® LED DIMMER

Part #:	3101-25
Voltage:	24 Vdc
Max. power standby:	0.1 mW
Max. output LED power:	90 W – 3.75A
Frequency:	433.92 MHz
Max. RF distance indoor:	30 metres (98.4ft.)
Dimensions:	84 x 45 x 18 mm (3.3" x 1.8" x 0.7")
Net weight dimmer:	30 gr.
Protection degree:	IP20
Ambient temperature:	0 - 40°C (32 - 104°F)
Relative humidity:	10 – 80%
Maximum useable altitude above sea level:	2000m (6561ft.)
Certification & Marking:	CE

Technical specification of the FOREST DS-XL® LED STRIP

Part #:	3000-00
Width:	8mm
LEDs/meter:	120
Kelvin:	3000k (warm-white)
Power:	9.6 W/m
Flux:	101 lm/W
CRI:	>90



The Forest DS-XL LED dimmer is not suitable for humid spaces, like bathrooms or outdoors. It is important for the safety of persons to follow these instructions. Keep these instructions for future reference. Do not use the product for any other purpose than intended. In order for the Forest DS-XL LED dimmer to function correct and safe, the complete curtain system must be assembled with original parts and devices of Forest Group Nederland B.V. This includes all components of the system, including power supply adaptor.

Forest Group does not assume liability for resulting damages to property or personal injury, defects, labour on location, service calls, reinstallation or expenses involved in shipping, packing or returning goods, if the product has been abused/modified in any way or damaged by improper use or failure to observe these operating instructions. The warranty/guarantee will then expire.

Do not allow children to play with the system or controls. Keep remote controls away from children. Frequently examine the installation for imbalance and signs of wear or damage. Do not use if repair or adjustment is necessary.