

DEVENTER MRS® MOTORIZED COLLECTION INSTALL INSTRUCTIONS

YOU HAVE RECEIVED A PRE-ASSEMBLED SYSTEM. SIMPLY FOLLOWING THESE STEP-BY-STEP INSTRUCTIONS, YOU WILL SOON BE ENJOYING YOUR NEW DRAPERY HARDWARE.

Getting Started:

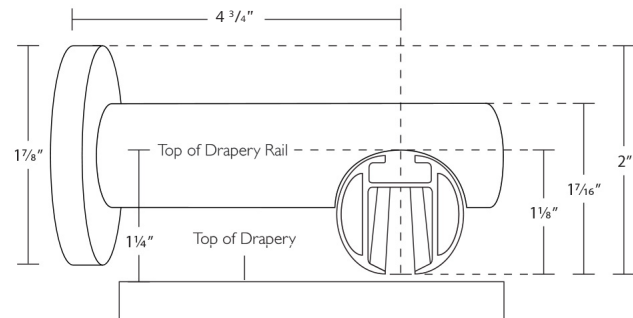
Please read through all instructions carefully before you begin.

Unpack all materials making sure all components are included:

- Screws
- Rails built to your specifications
- Mounting bracket and back plate
- Allen keys
- Finials
- Splice (optional)

Tools You Will Need:

- Drill with a 1/8" bit and a Phillips bit
- Phillips screwdriver
- Metal tape measure



Installing Your Wall Mount Drapery Hardware - Single Set:

Please read through all instructions carefully before you begin.

1. Mark

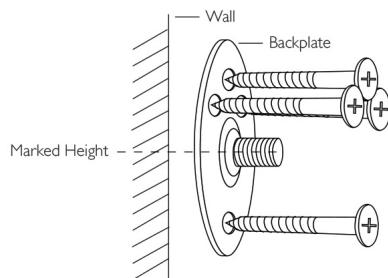
Mark the height you would like the top of the top of your drapery rail to be installed, taking into account any clearance or puddling you desire at the bottom, as well as top of rail to top of drapery difference - 1 1/4".

2. Mount

Measure the width of the track. Mark the placement of the two end brackets at the height determined in step 1, approximately 3"-4" in from the ends of where the track will be installed.

Take the back plate off the bracket and place the center of the back plate at marked height. (Remove the back plate from bracket by rotating plate counter clockwise.)

NOTE: The top of bracket will rise 1" above the rail.



3. Assemble Bracket

Reassemble the bracket onto the back plate. Screw bracket clockwise onto back plate. Turn until tight. Make sure bracket is facing down (loosen bracket set screw to adjust and tighten once complete).

4. Attach Rail to Bracket

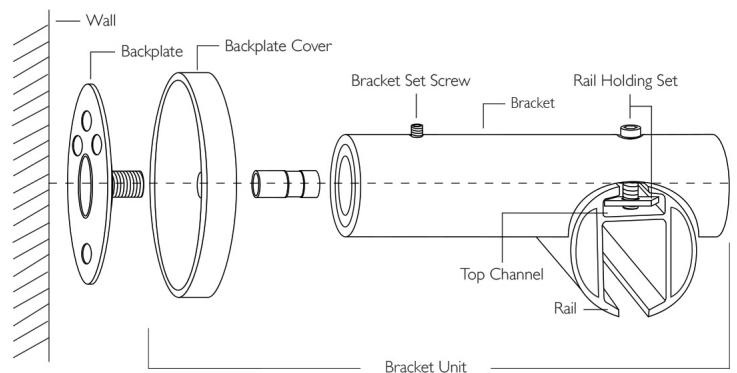
Make sure rail holding set is attached to the bracket loosely (you should receive it this way).

Attach the rail to the brackets making sure holding rail set slips into top channel.

Lock the rail holding set into the top channel using included Allen key.

5. Attach Finials

Attach finials to both ends of the rail.



DEVENTER MRS® MOTORIZED COLLECTION INSTALL INSTRUCTIONS (CONTINUED)

Installing Your Wall Mount Drapery Hardware - Double Set:

Please read through all instructions carefully before you begin.

1. Mark

Mark the height you would like the top of your drapery rail to be installed, taking into account any clearance or puddling you desire at the bottom, as well as top of rail to top of drapery difference - 1 1/4".

2. Mount

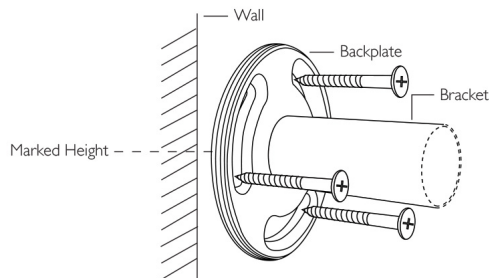
Measure the width of the track. Mark placement of the two end brackets at the height determined in step 1, approximately 3" - 4" in from the ends of where the track will be installed.

Unscrew back plate cover from back plate. Do not remove bracket from back plate. Place the center of the back plate at marked height.

Proceed to install brackets making sure brackets face down.

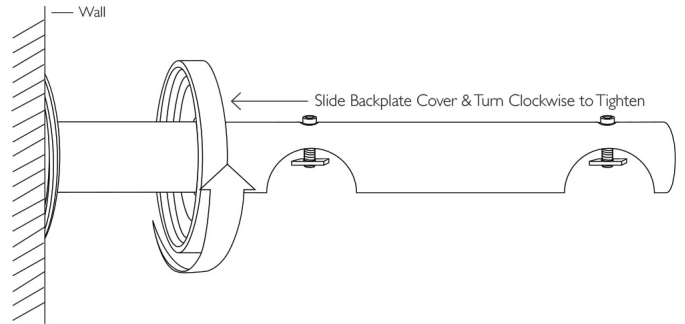
Drill in screws through the 3 slots for secure mount. Repeat this process for all other brackets evenly spacing them between the two end brackets.

NOTE: the top of the bracket will rise 13/8" above the rail.



3. Assemble Bracket

Reassemble the cover plate onto the back plate. Screw cover plate clockwise onto back plate. Turn until tight.

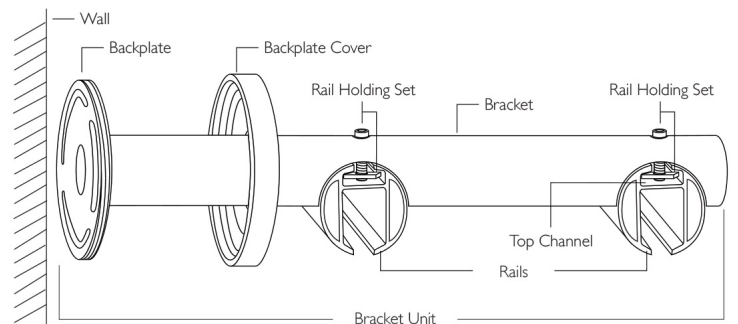


4. Attach Rail To Bracket

Make sure rail holding set is attached to the bracket loosely. (You should receive it this way.)

Attach the rails to the brackets making sure holding rail set slips into top channel.

Lock the rail holding set into the top channel using included Allen key.

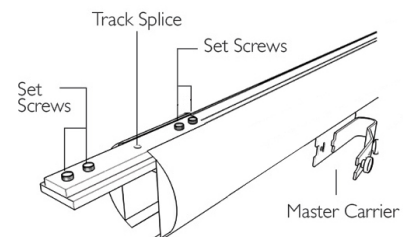


5. Attach End Caps

Installing a Splice on your Track System:

Please read through all instructions carefully before you begin.

1. Insert the Track Splice into the top channel of one of the tracks.
2. Tighten 2 set screws securely with included Allen Key.
3. Once both tracks have been attached to mounting brackets, butt the two tracks up against one another and ensure they line up seamlessly. Make sure the "arm(s)" of the master carrier(s) are facing into the room.
4. Tighten the other 2 set screws on the Track Splice.



DEVENTER MRS® MOTORIZED COLLECTION INSTALL INSTRUCTIONS (CONTINUED)

Installing Your Ceiling Mount Drapery Hardware

Please read through all instructions carefully before you begin.

1. Mark - Figure 1

Mark ceiling where center of rail will be installed. Make sure to clear all obstructions.

NOTE: A minimum of 1 2/4" off the back wall for a pleat clearance is required for ripplefold drapery.

2. Mount

Measure the width of the track. Mark the placement of the two end brackets at the depth determined in step 1, approximately 3" – 4" in from the ends of where the track will be installed.

Remove stem cover from bracket by loosening hex screw.

Install center of stem cover on mark. Secure to ceiling with appropriate hardware (consult your local hardware store if necessary for a secure install).

3. Attaching Rail - Figure 2

Attach bracket stems to rail by sliding rail holding set into the top channel. Repeat same for all brackets.

Line up each bracket to the installed stem covers by sliding and setting at appropriate locations. Setting the brackets is done by rotating bracket clockwise until secure.

Slide all brackets onto the installed stem covers and secure by tightening hex screw.

* **Double check to make sure brackets are installed properly to avoid rail from dislodging from stem covers.**

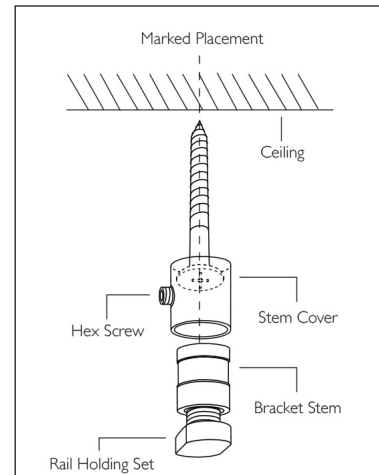


FIGURE 1

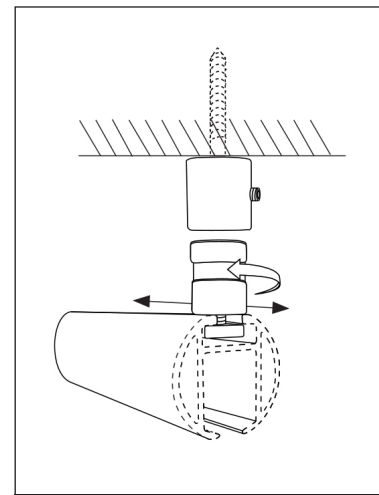


FIGURE 2

FOREST SHUTTLE MOTORS QUICK START GUIDE

BY SIMPLY FOLLOWING THESE STEP-BY-STEP INSTRUCTIONS,
YOU WILL SOON BE ENJOYING YOUR NEW MOTORIZED DRAPERY HARDWARE.

Getting Started:

Please read through all instructions carefully before you begin.

Make sure to check these items before programming:

- Motor is plugged in
- Batteries are in the remote or wall switch
- Drapes are in the open position

Technical Specifications:

- Voltage: 24Vdc
- Max. power: 65W
- Torque: 1.5Nm
- Speed: 15cm/sec

Programming Instructions:

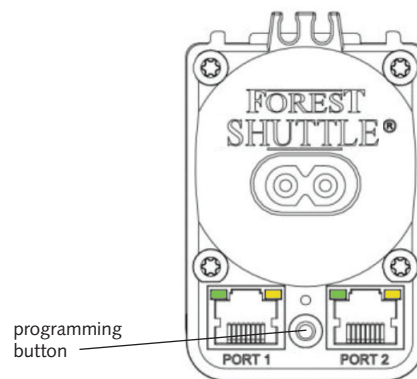
- Before running the motor, make sure drapes are in the open position.
- Turn motor into motor pulley and lock in place.
- Plug motor into outlet.
- Tug master carriers toward the closed position (drapes covering window) – they will move automatically.
- After fully closed, tug masters back to the open position – they will move automatically.
- Once fully opened, a yellow LED light will be lit on the bottom of the motor. While lit, you have 10 seconds to move the master carriers to whatever stacking position you desire.
- Make sure battery is in remote or wall switch.
- Go to the channel you want to program drapery motor to be on when using the remote or wall switch.
- Press the programming button on the bottom of the motor three times. You will see it switch from a green to yellow and back to green LED. After third press (ending up on green LED), let go and quickly press and hold, green LED will start flashing.
- While the LED is flashing green, press open on the remote or wall switch. Green LED will stop flashing.
- Press close to see if draperies start moving. If they do, you are finished. If not, go back to the beginning and start over.

Resetting Motor to Factory Default

- Resetting the motor to factory default settings will erase any limits and or program setting made prior.
- Press the programming button on the bottom of the motor 16 times. The LED's will correspond switching from green to yellow and so on.
- You will end up on a yellow LED after pressing 16 times. Quickly let go, then press and hold – yellow LED will start flashing.
- Let flashing yellow LED time out.

Resetting Limits

- Start with drapes in the open position.
- Press programming button 4 times, it will correspond with blinking LED's green, yellow, green, yellow.
- End up on yellow LED and quickly let go and yellow LED will start flashing.
- Let flashing yellow LED time out.
- Tug drapes toward close position and let them close all the way.
- Tug drapes toward open position and let them open all the way.
- Yellow LED will be lit, you have 10 seconds to move drapes to proper stacking position.



Warranty Disclaimer

The Forest Shuttle is not suitable for humid spaces, like bathrooms or outside. Forest does not assume liability for resulting damages to property or personal injury if the product has been abused in any way or damaged by improper use or failure to observe these operating instructions.



Scan or click this QR Code to go directly to the Shuttle programming video on the Forest YouTube channel.