

# LONDON POLE SETS INSTALL INSTRUCTIONS

BY SIMPLY FOLLOWING THESE STEP-BY-STEP INSTRUCTIONS, YOU WILL SOON BE ENJOYING YOUR NEW DRAPERY HARDWARE.

## Getting Started:

Please read through all instructions carefully before you begin installation.

### Unpack all materials making sure all components are included:

- Pole(s)
- Drapery rings
- Mounting brackets with Allen key
- Finials

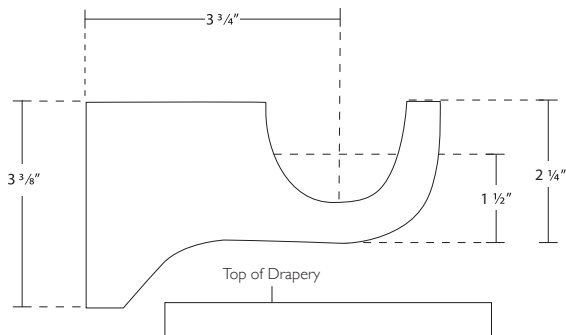
## Tools You Will Need:

- Drill with a 1/8" bit and a Phillips bit
- Phillips screwdriver
- Metal tape measure
- Hacksaw or regular saw (optional)

Please note that your brackets must be securely attached to the mounting surface. If your screws do not hit wood studs you'll have to use a different fastener which can be found at any local hardware store.

### Installing Wood Wall Bracket, pictured.

Extended Wood Wall Bracket and Wood Recess Bracket are installed with the same method.



#### 1. Mark

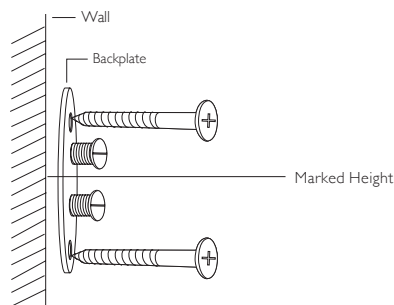
Mark the height you would like the top of drapery pole to be installed.

#### 2. Mount

Measure the width of the track. Mark the placement of the two end brackets at the height determined in step 1, approximately 3" – 4" in from the ends of where the track will be installed.

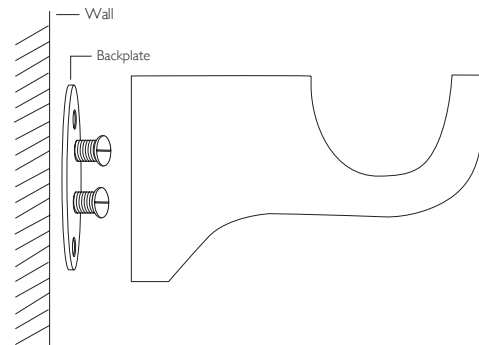
Place the center of the back plate at marked height.

Drill in screws through each hole for a secure mount. Repeat this process for all other brackets evenly spacing them between the two installed brackets.



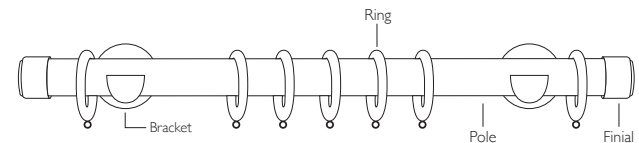
### 3. Assemble Bracket

Reassemble the bracket onto the back plate. Screws slide into slots within the back of the bracket. Press down firmly for a tight fit.



### 4. Attach Rings and Poles

Slide rings onto pole, you may want to leave one ring on the outside of each of the end brackets. Insert pole through bracket openings. Tighten set screws on brackets to secure pole.



### 5. Attach Finials

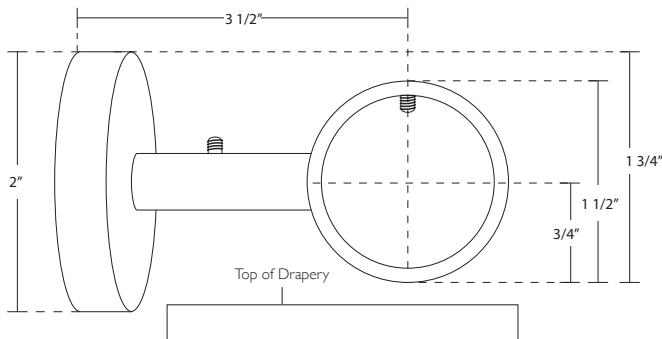
Attach finials to both ends of the pole. Tighten set screws on finials to secure to pole.

# LONDON POLE SETS INSTALL INSTRUCTIONS

CONTINUED

## Installing Metal Closed Bracket, pictured.

Metal Cylinder Bracket and Metal Recess Bracket are installed with the same method.



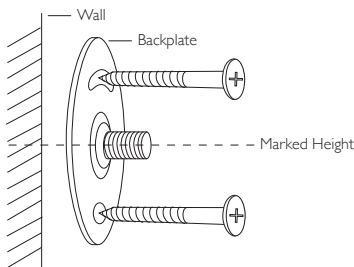
### 1. Mark

Mark the height you would like the top of drapery pole to be installed. The center of your bracket should be mounted 1" higher than that mark.

### 2. Mount

Measure the width of the track. Mark the placement of the two end brackets at the height determined in step 1, approximately 3" – 4" in from the ends of where the track will be installed.

Take the backplate off the bracket and place the center of the backplate at marked height. (remove backplate from the bracket by rotating plate counter clockwise).

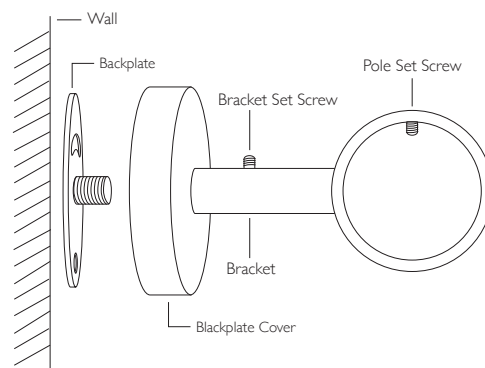


Drill in screws through each hole for a secure mount. Repeat this process for all other brackets evenly spacing them between the two installed brackets.

NOTE: The top of the bracket will rise 1" above the pole.

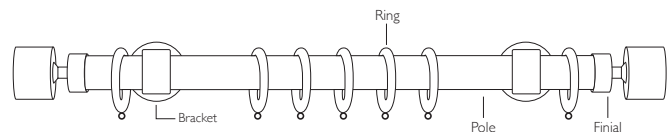
### 3. Assemble Bracket

Reassemble the bracket onto the backplate. Screw bracket clockwise onto backplate. Turn until tight. Make sure bracket opening is vertical (loosen small hex to adjust and tighten once complete).



### 4. Attach Rings and Poles

Slide rings onto pole, you may want to leave one ring on the outside of each of the end brackets. Insert pole through bracket openings. Tighten set screws on brackets to secure pole.



### 5. Attach Finials

Attach finials to both ends of the pole. Tighten set screws on finials to secure to pole.