

## DRESDEN MOTOR 2.0



**SMART HOME**  
READY



**APP**  
CONTROL



**WIRELESS**  
REMOTE



**TOUCH**  
CONTROL

Thanks to cutting-edge technology and absolute precision, we now mill the necessary recess for the motor connection directly into the profiles, so a separate motor housing is no longer required. Achieve visual perfection with consistent finish color with Dresden Motor 2.0.

*DRESDEN MOTOR 2.0 ROD  
FOREST SHUTTLE® HD MOTOR  
FOREST SHUTTLE® ECO MOTOR  
FOREST SHUTTLE® iON MOTOR*

THE WORLD  
BEHIND  
YOUR  
DRAPERIES

NEW!





## DRESDEN MOTOR 2.0 NEW!

- 1 1/8" motorized system best for light to medium weight draperies.
- Wall or ceiling mount. See bracket count below.
 

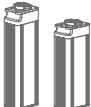
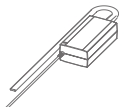
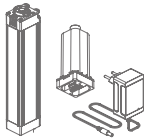

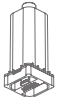

0-5' = 2 brackets	11-15' = 4 brackets
6-10' = 3 brackets	16-20' = 5 brackets
- Motorize with any Forest Shuttle. All Forest Shuttle motors include a 10-year warranty, the only one on the market.
- Control drapes with a gentle tug, wall switch, remote, any home automation system or by smart phone app.






### DRESDEN MOTORIZED FINISHES XX/XXX = finish color



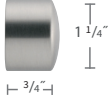

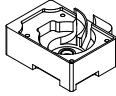
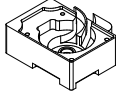
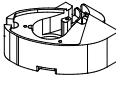
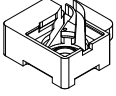

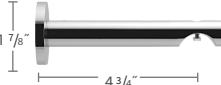

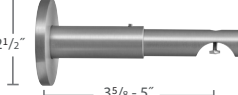
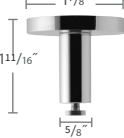


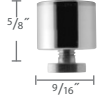
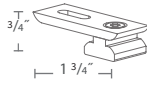
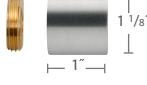

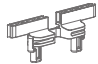
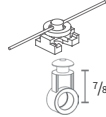


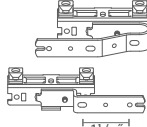
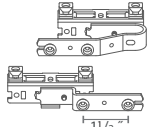
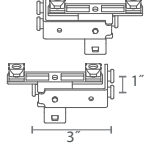

### ASSEMBLED SYSTEM

Includes rail with end cap finial, masters, pinchpleat or ripplefold carriers, brackets, motor, power supply, motor pulley, return pulley, single wall brackets plus choice of EasyTouch remote or wall switch.

DRESDEN	COMPONENT
• 	<b>52925-25</b> Shuttle HD (M) white <b>52925-59</b> Shuttle HD (M) black <b>52939-25</b> Shuttle Eco (S) white
• 	<b>52934-25</b> Shuttle HD & Eco Power Cord 24 volt power supply with 16' cord
• 	<b>52926-25</b> Shuttle iOn white Includes battery charger below.
• 	<b>52924-59</b> Shuttle iOn Battery Charger Additional charger for Shuttle iOn motor
• 	<b>52949-25</b> Shuttle iOn Battery Pack Additional battery pack for Shuttle iOn motor
• 	<b>52948-25</b> Wi-Fi Dongle - Order 1/motor For voice & app control over wi-fi. Provides bi-directional feedback. Use with Shuttles HD and Eco, not iOn.

DRESDEN	COMPONENT
• 	<b>52960-25</b> white <b>52960-59</b> black EasyTouch Remote 6 channel hand held remote Optional holder below can be ordered separately
• 	<b>52961-00</b> EasyTouch Remote Holder Optional and must be ordered separately
• 	<b>52933-25</b> white <b>52933-59</b> black EasyTouch Wall Switch 2 channel
• 	<b>52955-25</b> Bond Bridge Pro For voice and app control over RF. Easily pair using the Forest remote. Controls all of your devices in one hub.
• 	<b>52954-25</b> Sidekick Remote Works with or without Bond Bridge Pro, 1-5 channels.

DRESDEN	COMPONENT
	<b>B825-28-XX</b> 1 1/8" Dresden Rail 19' 7"
	<b>B8251517-59, 90</b> Rail Insert for Dresden
	<b>B124028-XX</b> End Cap Finial A finial is required. See all finials p. 47.
	<b>B899-2-00</b> Rail Connector
	<b>B15679-L-48, 59</b> <b>B15679-R-48, 59</b> Forest Shuttle Motor Pulley
	<b>B15669-L-48, 59</b> <b>B15669-R-48, 59</b> Lutron Motor Pulley
	<b>B15699-L-48, 59</b> <b>B15699-R-48, 59</b> Somfy Motor Pulley
	<b>B25679-L-48, 59</b> <b>B25679-R-48, 59</b> Versa Motor Pulley
	<b>B15683-48, 59</b> Dresden Return Pulley
	<b>B11670-120-XX</b> Single Bracket
	<b>B11672-220-XX</b> Double Bracket
	<b>B11670-V-XX</b> Adjustable Wall Bracket
	<b>B11873-50-XX</b> Ceiling Bracket

DRESDEN	COMPONENT
	<b>B11473-15-XX</b> Ceiling Bracket 5/8" Projection
	<b>53408-22, 24, 25, 29, 59, 70</b> Flush Ceiling Bracket Cannot use finials with this bracket
	<b>B122028-XX</b> Inside Mount Bracket
	<b>9012-25</b> Transport Belt Kevlar reinforced
	<b>52512-25</b> white <b>59</b> black Transport Belt Connector
	Two Piece Connected Snap Carrier w/ Square Base, in plastic sleeve. Use 1 1/4" snap tape <b>2114-25, 59</b> black 60% fullness, 2 5/8" OC <b>2111-25, 59</b> black 80% fullness, 2 3/8" OC <b>2112-25, 59</b> black 100% fullness, 2 1/8" OC <b>2115-25, 59</b> black 120% fullness, 1 7/8" OC
	<b>52008-25</b> <b>59</b> black, <b>65</b> brown Slim Line Klick Carrier
	<b>52009-25</b> Ball Bearing Carrier for motorization
	<b>52508-25</b> Overlap R <b>52509-25</b> Underlap L Swivel Foot Multifunctional Master
	<b>52508-25A</b> Overlap R <b>52509-25A</b> Underlap L Swivel Foot Multifunctional Master w/ snaps
	<b>52410-25</b> Butt Right <b>52409-25</b> Butt Left <b>59</b> black Butt Master Carrier w/ snaps
	<b>2552-25</b> 6" Extension Arm for master Use w/ two one-way draw

# SHUTTLE MOTOR SPECIFICATIONS



## SHUTTLE® HD (M)

## SHUTTLE® ECO (S)



### SPECIFICATIONS

VOLTAGE SHUTTLE  
RECEIVER  
POWER SUPPLY  
MAX POWER  
TORQUE  
TRAVEL SPEED  
NOISE LEVEL  
MAXIMUM WEIGHT  
DIMENSIONS  
CERTIFICATIONS/MARKINGS  
COLOR OPTIONS

24V DC  
Internal, optional  
External, 100-240V AC - 1.5A,  
50-60Hz; Output 24V DC - 2.7A  
65W  
1.5 Nm  
5.5" per second standard  
7" per second maximum  
< 40 dB(A)  
160 lbs per motor  
120 lbs per motor - curved track  
2.76" x 1.97" x 9.5"  
CE/FCC/DOE  
White / Black

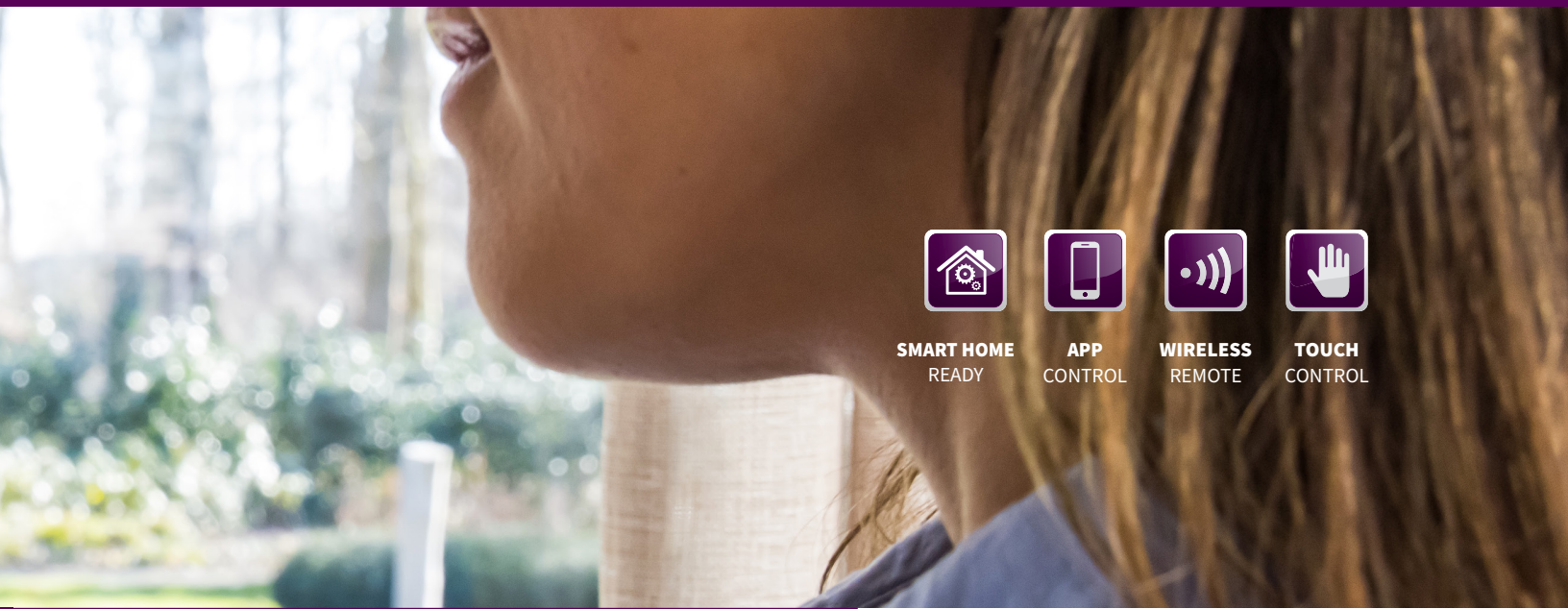
24V DC  
Internal  
External, 100-240V AC - 0.8A,  
50-60Hz; Output 24V DC - 2.5A  
40W  
1.0 Nm  
5.5" per second standard  
7" per second maximum  
< 40 dB(A)  
100 lbs per motor  
90 lbs per motor - curved track  
2.76" x 1.97" x 7.5"  
CE/FCC/DOE  
White

### FEATURES

TOUCH CONTROL TECHNOLOGY  
INTEGRATED EMERGENCY CONTROL  
RF COMMUNICATION STANDARD  
Z-WAVE COMMUNICATION  
AUTOMATION SYSTEM COMPATIBLE  
WI-FI COMPATIBLE  
WORKS WITH WIFI DONGLE  
CAN BE USED WITH CURVED TRACK  
PLUG & PLAY  
WARRANTY

√  
√  
√  
-  
√ using RS485 & dry contacts  
√  
√  
√  
√  
√  
10 Years

√  
√  
√  
-  
√ using RS485 & dry contacts  
√  
√  
√  
√  
√  
10 Years



**SMART HOME**  
READY



**APP**  
CONTROL



**WIRELESS**  
REMOTE



**TOUCH**  
CONTROL

## SHUTTLE<sup>®</sup> iOn



VOLTAGE SHUTTLE	14.8V DC
RECEIVER	Internal
BATTERY	Lithium iOn battery + charger (3-4 months between charges)
MAX POWER	30W
TORQUE	1.0 Nm
TRAVEL SPEED	5.5" per second standard
NOISE LEVEL	< 40 dB(A)
MAXIMUM WEIGHT	55 lbs per motor 40 lbs per motor - curved track
DIMENSIONS	2" x 3" x 12.25"
CERTIFICATIONS/MARKINGS	CE/FCC/DOE
COLOR OPTIONS	White

## SPECIFICATIONS

TOUCH CONTROL TECHNOLOGY	✓
INTEGRATED EMERGENCY CONTROL	✓
RF COMMUNICATION STANDARD	✓
Z-WAVE COMMUNICATION	-
AUTOMATION SYSTEM COMPATIBLE	✓ using RS485 & dry contacts
WI-FI COMPATIBLE	✓
WORKS WITH WI-FI DONGLE	-
CAN BE USED WITH CURVED TRACK	✓
PLUG & PLAY	✓
WARRANTY	10 Years on motor 2 years on battery pack

## FEATURES

Our wide variety of control options make finding a fit for your windows easy – controlling the drapes by hand, wall switch, remote or even by home automation system.



### TOUCH CONTROL

Open or close your drapes with a gentle tug.



### FOREST CONTROLS

We have designed a new line of controls with a modern look and feel. Range of controls is up to 98'.

- The EasyTouch remote controls up to 6 systems, with the option to deactivate unused channels.
- EasyTouch wall switch is a sleek 2-channel option for your wall.



### BOND BRIDGE PRO

With the Bond Bridge Pro, easily pair your Forest remote and get app control for Forest motorized window coverings and other devices all in one place.



### SIDEKICK REMOTE

5- or 1-channel remote control. Pairs directly with drapery motor. Use with Bond Bridge Pro or without. Estimated 10-year battery life.

**FOR ADDITIONAL CONTROL OPTIONS, SEE THE ROADMAP ON THE FOLLOWING PAGES.**

# MOTORIZATION CONTROLS ROADMAP



## Wall Switch & Remote

Without feedback

RF

### Compatible Shuttle Motors

S  M  iOn

### Compatible Controls

- Easy Touch Wall Switch
- Easy Touch Remote
- Sidekick Remote



## Voice and App Control local and remote

With feedback

WiFi

Connect using Forest WiFi Dongle



### Integrations



Integrations when cloud services are present



### Compatible Shuttle Motors

S  M  iOn

### Compatible Controls w/ Dongle

- Easy Touch Wall Switch
- Easy Touch Remote
- Sidekick Remote

Without feedback

RF

Connect using Bond Bridge Pro



### Integrations



### Voice Assistants



And others

### Compatible Shuttle Motors

S  M  iOn

### Compatible Controls

- Easy Touch Wall Switch
- Easy Touch Remote
- Sidekick Remote



**Wired Automation System**  
we advise you work with  
an installation specialist

With feedback

Without feedback

RS485

Dry Contact

Integrations

Control4

CRESTRON

SAVANT

RCI

and others

Integrations

Control4

CRESTRON

SAVANT

LUTRON

and others

**Compatible Shuttle Motors**

S  M  iOn

**Compatible Controls**

Easy Touch Wall Switch

Easy Touch Remote

Sidekick Remote

**Compatible Shuttle Motors**

S  M  iOn

**Compatible Controls**

Easy Touch Wall Switch

Easy Touch Remote

Sidekick Remote



Forest specializes in the development, production and supply of highly innovative drapery tracks and window coverings. We offer track solutions catering to the hospitality industry. Whether you choose our motorized tracks or rods, shades or hand drawn rods your client will experience comfortable luxury and optimal ease of use.

## THE WORLD BEHIND YOUR DRAPERIES

More than thirty years ago it started with a flexible aluminum system, known as the Forest KS® system. The product line was expanded at a rapid pace, always focusing on functionality and quality. The technologies conquered the world. Hotels across the globe are satisfied users of Forest systems including iconic hotels like the Venetian, Hardrock and the mega hotels in Dubai.

Forest Group B.V. sells its products in more than 100 countries worldwide and has sales offices in The Netherlands, the United States, China, United Arab Emirates, United Kingdom and Poland, ensuring global availability.

### Some well-known and recognized features of the Forest track systems are:

- **High-quality standards:** We guarantee a long lifespan.
- **Comfort and quiet:** Drapes open and close silently, creating a serene and comfortable environment.
- **Adds style to windows:** Always perfectly hanging drapery thanks to our systems, including motorized solutions.
- **Smart integration:** Controllable via app, voice, and home automation systems for ultimate convenience.
- **Sustainability:** We use a minimum of 75% recycled aluminum in our tracks.
- **Unique warranty:** 10-year warranty.



*Drapery engineering by Forest*